



Interfaces 2/3 wire RTD temperature sensors or 4-20mA signals to PLC's etc .

0-1vdc output for driving panel meters.

DIN rail mounting

Introduction

The FSC-1011 series current / temperature interface is a single channel DIN rail mounting module designed to interface 2/3 wire 100 ohm Platinum RTD (Resistance Temperature Detectors) or 4-20mA current loop input and gives out a proportional voltage output from 0-1vdc.

The FSC-1011 provides complete current excitation for Platinum RTD temperature sensors. Versatile linearisation circuitry provides a 2nd-order correction to the RTD, typically achieving a 40:1 improvement in linearity. The unit automatically compensates for RTD connecting cable resistance.

General Ratings

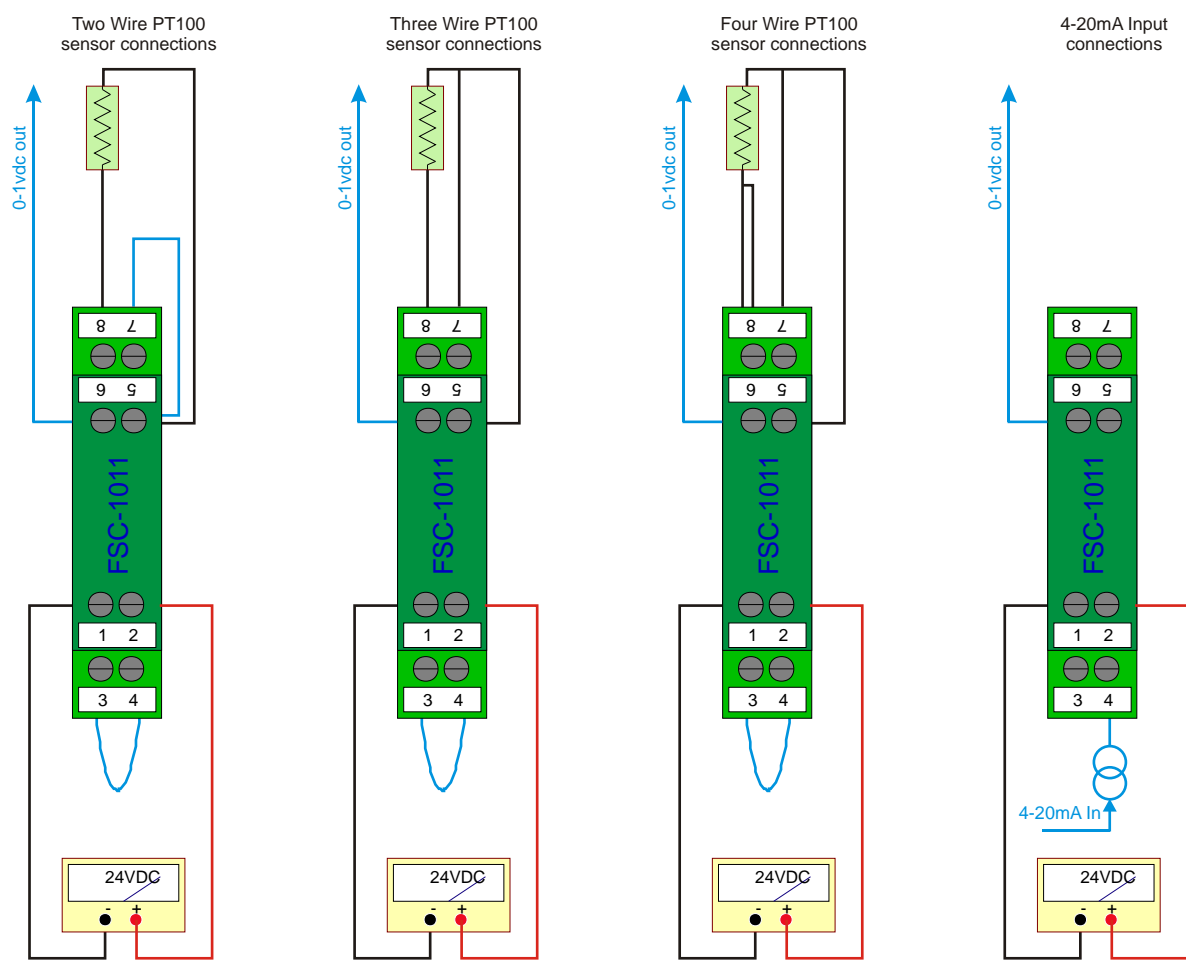
Storage temperature	-20 to +70 °C
Operating temperature	0 to 55 °C
Humidity	10-90% RH (non-condensing)
Dimensions	20 mm wide 79 mm depth (across DIN rail) 70 mm high
Supply	24VDC (+/- 10%)
Screw terminal wire gauge	Up to 14 AWG
Output range	0-1v
Input	3 wire 100 ohm platinum RTD (e.g. PT100) or 4-20mA current loop
Preset temperature ranges	0 to 100°C · -100 to 100°C · -100 to 200°C · 0 to 150°C · 0 to 400°C · 0 to 600°C · 0 to 800°C
Output Accuracy	Better than: 1% FSD (typically)
Unit mounting	The unit can be mounted on all standard NS32 and NS35 DIN rail profiles to EN50 045, EN50 035 and EN50 022 standards
Housing	Polycarbonate PC-F, EMG-22 Phoenix Contact Inflammability class V0 (UI94) type UEG-20



Features

- * Compact DIN rail mounting unit.
- * 24 volt DC operating voltage.
- * Open circuit protection.
- * Reverse voltage protection & surge protection.
- * Typical accuracy better than 0.25%.
- * Widely used three wire interface for PT100 temperature sensor.
- * Includes sensor excitation and linearisation
- * 7 standard temperature ranges, OEM specials to order.

Connection Details



Terminal	Description
1	0v
2	24vdc
3	Link1
4	Link2 / Current In
5	RTD1
6	0-1v out
7	RTD2
8	RTD3



Data Sheet Issue: 1.00
Date: 20 October 2005

Order Codes

<u>Temperature Range</u>	<u>Part Number</u>
0 to 100°C	FSC-1011-0/100
-100 to +100°C	FSC-1011-100/100
-100 to +200°C	FSC-1011-100/200
0 to 150°C	FSC-1011-0/150
0 to 400°C	FSC-1011-0/400
0 to 600°C	FSC-1011-0/600
0 to 800°C	FSC-1011-0/800

COLTER GROUP **COLTER PRODUCTS LIMITED**

UNIT 7, ZONE C
CHELMSFORD ROAD INDUSTRIAL ESTATE
DUNMOW
ESSEX
CM6 1HD

Telephone: + 44 (0) 1371 876887
Fax: + 44 (0) 1371 875638

E-Mail: sales@coltergroup.co.uk
Web Site: www.coltergroup.co.uk

© Copyright 2005

The unit described on this datasheet is designed and manufactured in Great Britain by Colter Products Ltd.
Colter Products reserve the right to amend these specifications and the user is asked to check the validity of the data sheet prior to use