

**10 channel fuse module with visual alarm and alarm output for fuse blown indication**

**High current rating, up to 15A per channel (max 32A for module)**

**DIN rail mounting**

**Various range of fuse sizes available**

## Introduction

The FSC-960 fuse blown indicating module is a DIN rail mounting module, that allows users up to 10 common fused supply outlets. Each fused channel can handle up to 15A, however a maximum of only 32A max is allowed for the module. Fuses are available in 18 different ratings (see page 3) and should be ordered separately

## General Ratings

Storage temperature	-20 to +70 °C
Operating temperature	0 to 70 °C
Humidity	10-95% RH (non-condensing)
Dimensions	94mm width (Along Din Rail) 90mm depth (Across Din Rail) 62mm height
Weight	195g
Voltage rating	Up to 60Vdc
Output Current	15A per channel (max 32A for module)
Unit mounting	The unit can be mounted on all standard NS32 and NS35 DIN rail profiles to EN50 045, EN50 035 and EN50 022 standards
Back feed protection	The common Alarm circuit is fitted with a 1N4004 1 Amp diode to prevent voltage back feed.

Connection capacity details for Double height output connections on are as follows

Solid wire 0.2 - 4 mm<sup>2</sup>

Stranded wire 0.2 - 2.5 mm<sup>2</sup>

Stranded wire with ferrules fitted 0.25 - 2.5 mm<sup>2</sup>

Connection capacity details for single height power input connections on are as follows

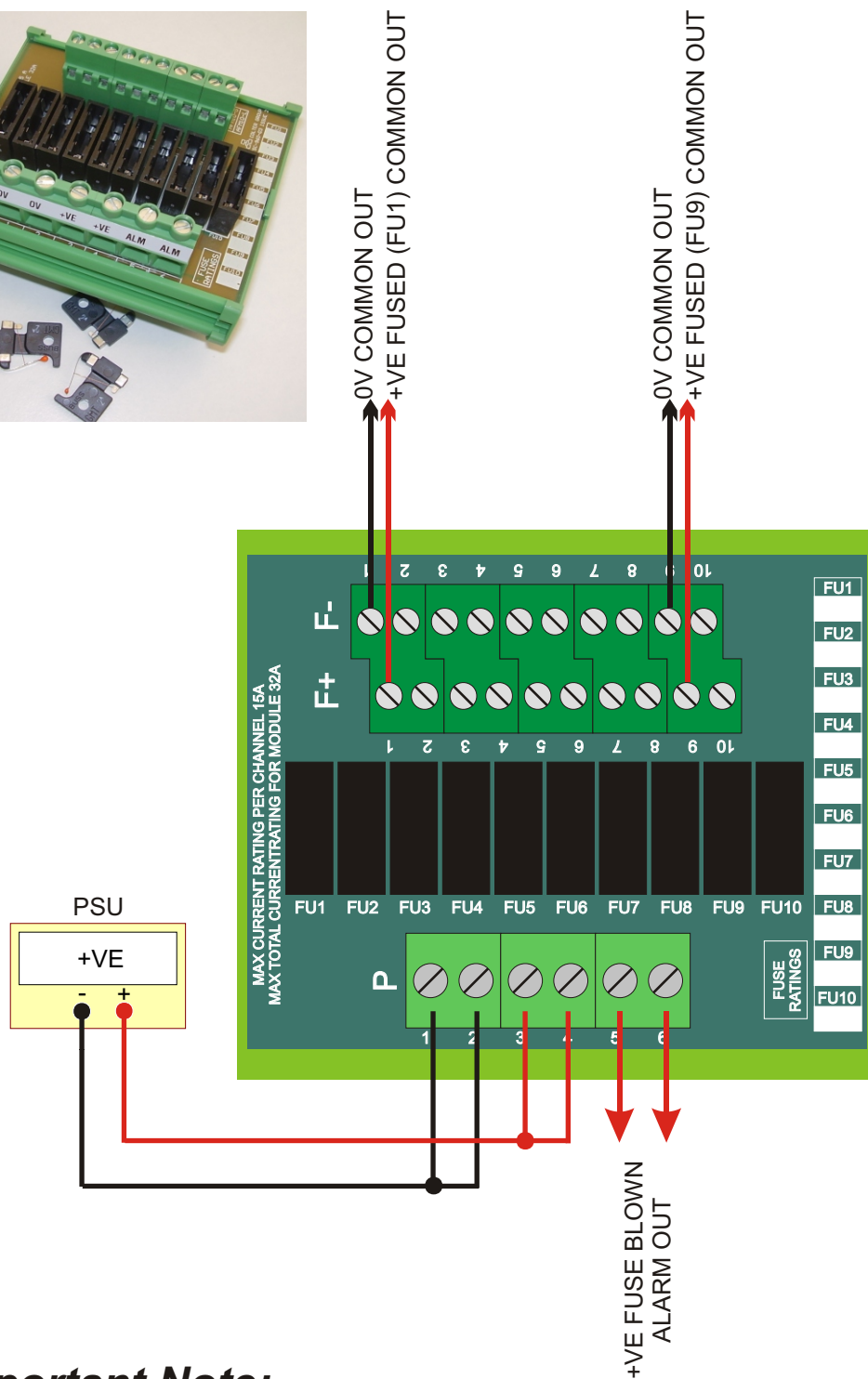
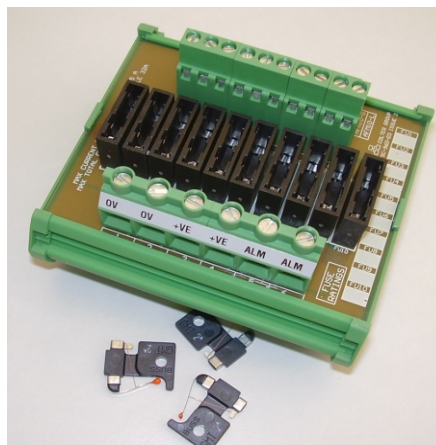
Solid wire 0.2 - 6 mm<sup>2</sup>

Stranded wire 0.2 - 4 mm<sup>2</sup>

Stranded wire with ferrules fitted 0.25 - 4 mm<sup>2</sup>



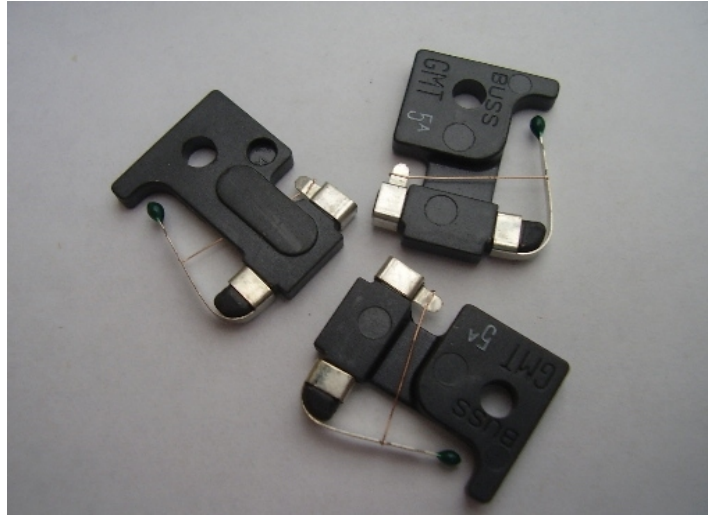
### Connections:



### Important Note:

Modules supplied without GMT fuses. IMPORTANT Customer should note that when fitting the GMT fuses they must not be forced down in position. See Bussmann data sheets for fitment details. A correctly positioned fuse will have the top flat edge of fuse approximately 7.7mm above the top edge of the module mounted fuse holder to which it is fitted.

GMT Fuses



## Order Codes

<u>Part Number</u>	<u>Description</u>
FSC-960	FSC-960 Module (no fuses)
GMT-0.18A	0.18A Fast Acting Fuse
GMT-0.25A	0.25A Fast Acting Fuse
GMT-0.38A	0.38A Fast Acting Fuse
GMT-0.50A	0.50A Fast Acting Fuse
GMT-0.65A	0.65A Fast Acting Fuse
GMT-0.75A	0.75A Fast Acting Fuse
GMT-1.00A	1.00A Fast Acting Fuse
GMT-1.33A	1.33A Fast Acting Fuse
GMT-1.50A	1.50A Fast Acting Fuse
GMT-2.00A	2.00A Fast Acting Fuse
GMT-3.00A	3.00A Fast Acting Fuse
GMT-3.50A	3.50A Fast Acting Fuse
GMT-4.00A	4.00A Fast Acting Fuse
GMT-5.00A	5.00A Fast Acting Fuse
GMT-7.50A	7.50A Fast Acting Fuse
GMT-10.0A	10.0A Fast Acting Fuse
GMT-12.0A	12.0A Fast Acting Fuse
GMT-15.0A	15.0A Fast Acting Fuse

### **COLTER GROUP** **COLTER PRODUCTS LIMITED**

UNIT 7, ZONE C  
CHELMSFORD ROAD INDUSTRIAL ESTATE  
DUNMOW  
ESSEX  
CM6 1HD

Telephone: + 44 (0)1371 876887  
Fax: + 44 (0)1371 875638

E-Mail: [sales@coltergroup.co.uk](mailto:sales@coltergroup.co.uk)  
Web Site: [www.coltergroup.co.uk](http://www.coltergroup.co.uk)

© Copyright 2002

The unit described on this datasheet is designed and manufactured in Great Britain by Colter Products Ltd.  
Colter Products reserve the right to amend these specifications and the user is asked to check the validity of the datasheet prior to use

