

AC charging cable - EV-GBG3C-1AC32A-7,5M6,0ESBK01



1003678

<https://www.phoenixcontact.com/gb/products/1003678>

Please be informed that the data shown in this PDF document is generated from our Online Catalog. Please find the complete data in the user documentation. Our General Terms of Use for Downloads are valid.



CHARX connect, AC charging cable with vehicle charging connector and open cable end, with protective cap, Housing color black-gray, For charging electric vehicles (EV) with alternating current (AC) via GB/T vehicle charging inlets, for installation at charging stations for electromobility (EVSE), GB/T, GB/T 20234.2-2015, GB/T 18487.1-2015, 32 A / 250 V (AC), C-Line, "PHOENIX CONTACT" logo, cable: 7.5 m, black, straight, NOTE: Cable management may be required.

Product Description

AC charging cable with Vehicle Connector and open cable end for charging electric vehicles (EV) with alternating current (AC) via GB/T Vehicle Inlets, for installation at charging stations for E-Mobility (EVSE)

Your advantages

- Complete product range
- Convenient handling due to the ergonomic, triple award-winning design
- Available with your logo on request – for consistent branding of your charging station
- Longitudinal water tightness reliably prevents water ingress
- Developed and produced in accordance with the IATF 16949 automotive standard and ISO 9001
- Tested in accordance with automotive standards LV124, LV214, and LV215-2
- Tested in accordance with EV Ready 37 requirements

AC charging cable - EV-GBG3C-1AC32A-7,5M6,0ESBK01



1003678

<https://www.phoenixcontact.com/gb/products/1003678>

Commercial Data

Item number	1003678
Packing unit	1 pc
Minimum order quantity	1 pc
Sales Key	XWBAAF
Product Key	XWBAAF
GTIN	4055626472317
Weight per Piece (including packing)	22.22 g
Weight per Piece (excluding packing)	22.22 g
Customs tariff number	85444290
Country of origin	PL

AC charging cable - EV-GBG3C-1AC32A-7,5M6,0ESBK01



1003678

<https://www.phoenixcontact.com/gb/products/1003678>

Technical Data

Product properties

Product type	AC charging cable
Application	For charging electric vehicles (EV) with alternating current (AC) via GB/T vehicle charging inlets for installation at charging stations for electromobility (EVSE)
Type	AC charging cable with vehicle charging connector and open cable end with protective cap Housing color black-gray
Affixed logo	"PHOENIX CONTACT" logo
Charging mode	Mode 3, Case C
Charging standard	GB/T

Electrical properties

Number of phases	1
Type of signal transmission	Pulse width modulation
Type of charging current	AC single-phase
Note on the connection method	Crimp connection, cannot be disconnected
Coding	220 Ω + 3,3 kΩ (Lever actuated) 220 Ω (Lever not actuated)
Maximum capacity	8 kW

Power contact

Number	3 (L, N, PE)
Rated voltage	250 V
Rated current	32 A

Signal contact

Number	2 (CP, CC)
Rated voltage	30 V AC
Rated current	2 A

Dimensions

Dimensional drawing	
Width	58 mm (Vehicle charging connector)
Height	151.3 mm (Vehicle charging connector)
Depth	238.7 mm (Vehicle charging connector)

AC charging cable - EV-GBG3C-1AC32A-7,5M6,0ESBK01



1003678

<https://www.phoenixcontact.com/gb/products/1003678>

Material specifications

Housing material	Plastic
Material of grip body	Soft plastic
Material protective cap	Soft plastic
Actuating lever material	Metal
Material mating face	Plastic
Material surface of contacts	Ag

Design

Color Housing	black
Color Connection profile	black
Color Handle area	gray
Color Actuation element	silver
Color Protective cap	black
Customer variations	On request

Cable / line

Cable length	7.5 m
Wiring standards/regulations	prEN 50620 / DIN EN 50620
Wiring certifications	VDE
Cable weight	max. 305 kg/km
Type of cable	straight
Cable structure	3 x 6.0 mm ² + 1 x 0.5 mm ²
Cable type	Class 5
External cable diameter	12.8 mm ±0.4 mm
Outer sheath, material	TPE-U
External sheath, color	black
Conductor resistance	≤ 0.0033 Ω/m (based on a power core, at an ambient temperature of 20°C)

Cable structure

Stripping length of the sheath	70 mm ±5 mm
--------------------------------	-------------

Mechanical properties

Design

Design	C-Line
--------	--------

Mechanical data

Insertion force	< 100 N
Withdrawal force	< 100 N

Design

Design	C-Line
Customer variations	On request

AC charging cable - EV-GBG3C-1AC32A-7,5M6,0ESBK01



1003678

<https://www.phoenixcontact.com/gb/products/1003678>

Environmental and real-life conditions

Ambient conditions

Ambient temperature (operation)	-30 °C ... 50 °C
Ambient temperature (storage/transport)	-40 °C ... 80 °C
Altitude	5000 m (above sea level)

Standards and regulations

Connection in accordance with standard

Normative cable length restrictions	NOTE: Cable management may be required.
	Cable management is required in certain regions if the cable length exceeds 5.0 m (Switzerland) or 7.5 m (USA) (IEC 61851-1).

Standards

Standards/regulations	GB/T 20234.2-2015
	GB/T 18487.1-2015

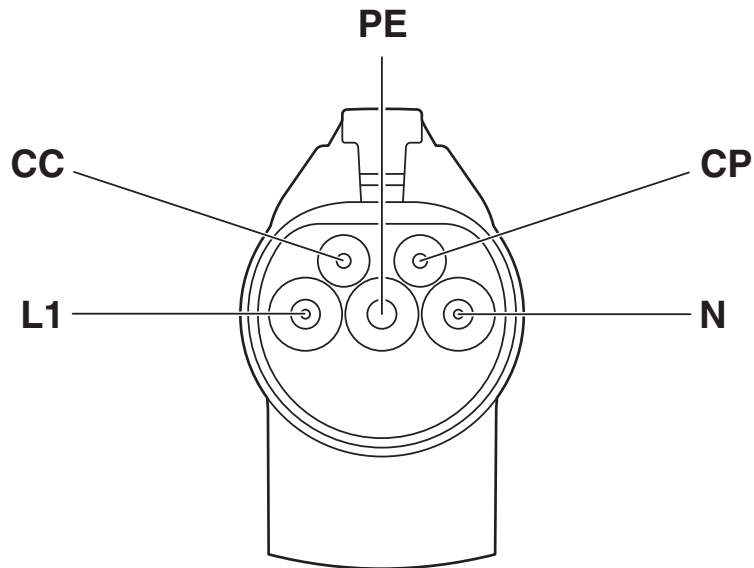
AC charging cable - EV-GBG3C-1AC32A-7,5M6,0ESBK01

1003678

<https://www.phoenixcontact.com/gb/products/1003678>

Drawings

Schematic diagram



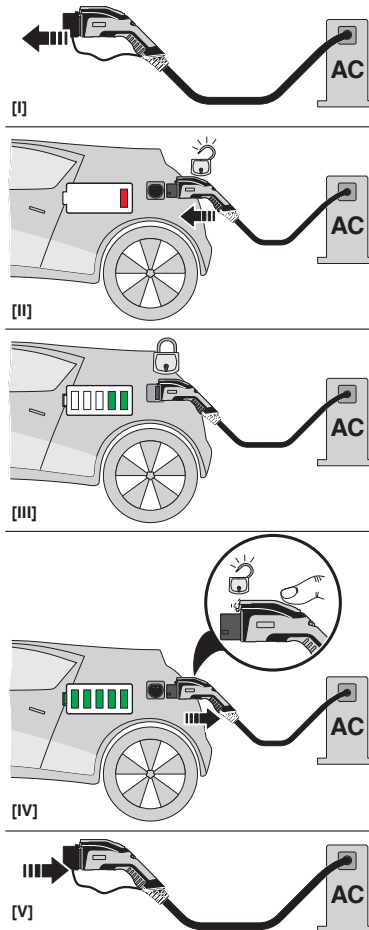
Pin assignment of the Vehicle Connector

AC charging cable - EV-GBG3C-1AC32A-7,5M6,0ESBK01

1003678

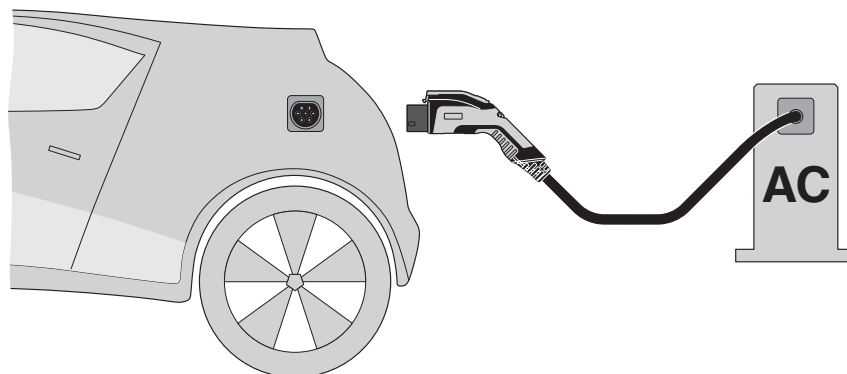
<https://www.phoenixcontact.com/gb/products/1003678>

Schematic diagram



Operating instructions

Schematic diagram



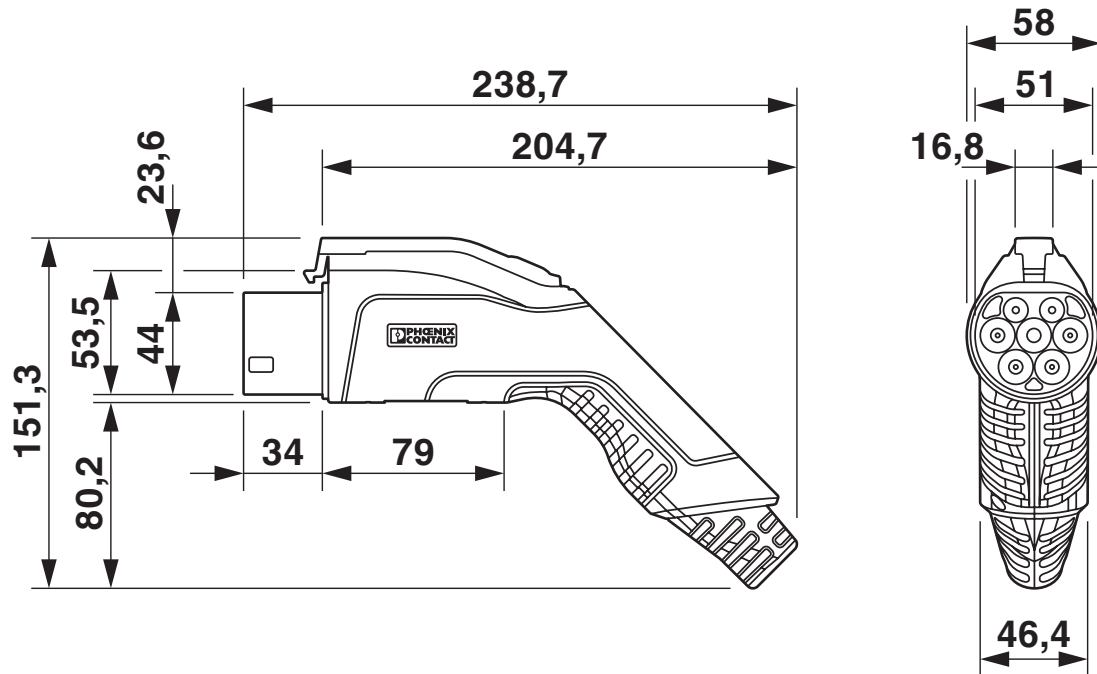
Terminology definition

AC charging cable - EV-GBG3C-1AC32A-7,5M6,0ESBK01

1003678

<https://www.phoenixcontact.com/gb/products/1003678>

Dimensional drawing



Make sure that the vehicle charging connector is placed in an appropriate charging connector holder, which ensures a minimum protection rating of IP24 in accordance with IEC 61851-1, for the entire time between charging. To create this charging connector holder, use the dimensions of the vehicle charging connector. Detailed dimensions can also be found in the Download area.

AC charging cable - EV-GBG3C-1AC32A-7,5M6,0ESBK01



1003678

<https://www.phoenixcontact.com/gb/products/1003678>

Classifications

ECLASS

ECLASS-9.0	27144705
ECLASS-10.0.1	27144705
ECLASS-11.0	27144705

ETIM

ETIM 8.0	EC002897
----------	----------

UNSPSC

UNSPSC 21.0	39121522
-------------	----------

AC charging cable - EV-GBG3C-1AC32A-7,5M6,0ESBK01



1003678

<https://www.phoenixcontact.com/gb/products/1003678>

Environmental Product Compliance

REACH SVHC	Lead 7439-92-1
China RoHS	Environmentally Friendly Use Period = 10; For details about hazardous substances go to tab "Downloads", Category "Manufacturer's declaration"

AC charging cable - EV-GBG3C-1AC32A-7,5M6,0ESBK01

1003678

<https://www.phoenixcontact.com/gb/products/1003678>

Accessories

Cable gland

Cable gland - G-INS-M25-M68N-PNES-BK - 1411134

<https://www.phoenixcontact.com/gb/products/1411134>



Cable gland, cable gland material: PA, external cable diameter 11 mm ... 17 mm, shielding: no, connecting thread: M25 x 1.5, color: jet black RAL 9005

Charging connector holder

Charging connector holder - EV-GBAC-PARK - 1624142

<https://www.phoenixcontact.com/gb/products/1624142>



CHARX connect, Charging connector holder, for vehicle charging connectors on charging stations (EVSE), GB/T, GB/T 20234.2, Front mounting

Phoenix Contact 2022 © - all rights reserved

<https://www.phoenixcontact.com>

PHOENIX CONTACT Ltd
Halesfield 13, Telford
Shropshire, TF7 4PG
01952 681700
info@phoenixcontact.co.uk