

AC charging cable - EV-T2G3C-1AC32A-4,0M6,0EHBK11

1056575

<https://www.phoenixcontact.com/gb/products/1056575>

Please be informed that the data shown in this PDF document is generated from our Online Catalog. Please find the complete data in the user documentation. Our General Terms of Use for Downloads are valid.



CHARX connect, AC charging cable with vehicle charging connector and open cable end, with protective cap, Housing color black-black, for charging electric vehicles (EV) with alternating current (AC) via type 2 vehicle charging inlets, for installation at charging stations for electromobility (EVSE), Type 2, IEC 62196-2, 32 A / 250 V (AC), C-Line, "PHOENIX CONTACT" logo, cable: 4 m, black, spiraled

Product Description

AC charging cable with Vehicle Connector and open cable end for charging electric vehicles (EV) with alternating current (AC) via type 2 Vehicle Inlets, for installation at charging stations for E-Mobility (EVSE)

Your advantages

- Complete product range
- Convenient handling due to the ergonomic, triple award-winning design
- Available with your logo on request – for consistent branding of your charging station
- Longitudinal water tightness reliably prevents water ingress
- Developed and produced in accordance with the IATF 16949 automotive standard and ISO 9001
- Tested in accordance with automotive standards LV124, LV214, and LV215-2
- Tested in accordance with EV Ready 37 requirements
- Laser-marked mating face in accordance with DIN EN 17186

AC charging cable - EV-T2G3C-1AC32A-4,0M6,0EHBK11



1056575

<https://www.phoenixcontact.com/gb/products/1056575>

Commercial Data

Item number	1056575
Packing unit	1 pc
Minimum order quantity	1 pc
Sales Key	XWBAAC
Product Key	XWBAAC
Catalog Page	Page 20 (C-7-2019)
GTIN	4055626697345
Weight per Piece (including packing)	22.22 g
Weight per Piece (excluding packing)	22.22 g
Customs tariff number	85444290
Country of origin	DE

AC charging cable - EV-T2G3C-1AC32A-4,0M6,0EHBK11



1056575

<https://www.phoenixcontact.com/gb/products/1056575>

Technical Data

Product properties

Product type	AC charging cable
Application	for charging electric vehicles (EV) with alternating current (AC) via type 2 vehicle charging inlets for installation at charging stations for electromobility (EVSE)
Type	AC charging cable with vehicle charging connector and open cable end with protective cap Housing color black-black
Affixed logo	"PHOENIX CONTACT" logo
Charging mode	Mode 3, Case C
Charging standard	Type 2

Electrical properties

Number of phases	1
Type of signal transmission	Pulse width modulation
Type of charging current	AC single-phase
Note on the connection method	Crimp connection, cannot be disconnected
Coding	220 Ω (between PE and PP)
Maximum capacity	8 kW

Power contact

Number	3 (L1, N, PE)
Rated voltage	250 V AC
Rated current	32 A

Signal contact

Number	2 (CP, PP)
Rated voltage	30 V AC
Rated current	2 A

Dimensions

Dimensional drawing	
Width	70 mm (Vehicle charging connector)
Height	137 mm (Vehicle charging connector)
Depth	215.9 mm (Vehicle charging connector)

Material specifications

AC charging cable - EV-T2G3C-1AC32A-4,0M6,0EHBK11



1056575

<https://www.phoenixcontact.com/gb/products/1056575>

Housing material	Plastic
Material of grip body	Soft plastic
Material protective cap	Soft plastic
Material mating face	Plastic
Material surface of contacts	Ag

Design

Color Housing	black
Color Connection profile	black
Color Handle area	black
Color Protective cap	black
Customer variations	On request

Cable / line

Cable length	4 m
Wiring standards/regulations	prEN 50620 / DIN EN 50620
Wiring certifications	VDE
Type of cable	spiraled
Cable structure	3 x 6.0 mm ² + 1 x 0.5 mm ²
Cable type	Class 5
External cable diameter	12.8 mm ±0.4 mm
Outer sheath, material	TPE-U
External sheath, color	black
Block length	0.63 m ±10 %
Coil diameter	60 mm ±10 %
Effective length	max. 4 m ±5 %
Conductor resistance	≤ 0.0033 Ω/m (based on a power core, at an ambient temperature of 20°C)

Cable structure

Stripping length of the sheath	70 mm ±5 mm
--------------------------------	-------------

Mechanical properties

Design

Design	C-Line
--------	--------

Mechanical data

Insertion force	< 100 N
Withdrawal force	< 100 N

Design

Design	C-Line
Customer variations	On request

Environmental and real-life conditions

AC charging cable - EV-T2G3C-1AC32A-4,0M6,0EHBK11



1056575

<https://www.phoenixcontact.com/gb/products/1056575>

Ambient conditions

Ambient temperature (operation)	-30 °C ... 50 °C
Ambient temperature (storage/transport)	-40 °C ... 80 °C
Altitude	5000 m (above sea level)

Standards and regulations

Standards

Standards/regulations	IEC 62196-2
-----------------------	-------------

AC charging cable - EV-T2G3C-1AC32A-4,0M6,0EHBK11

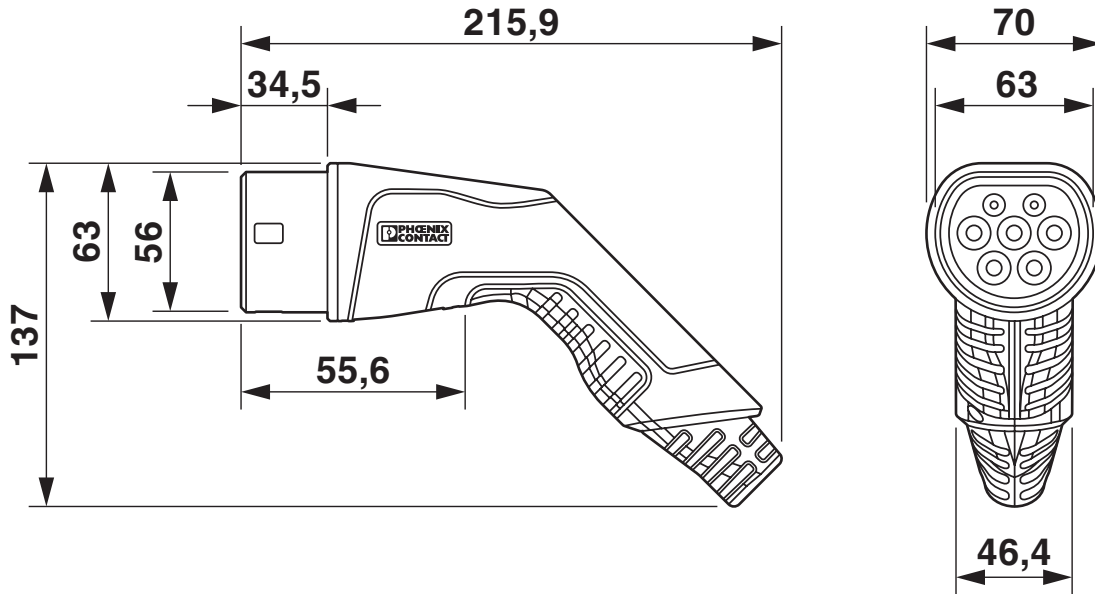


1056575

<https://www.phoenixcontact.com/gb/products/1056575>

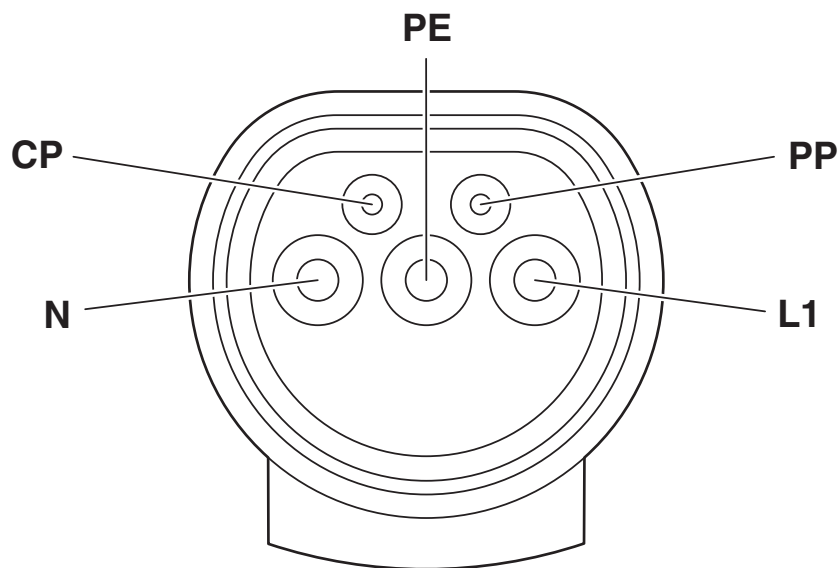
Drawings

Dimensional drawing



Make sure that the vehicle charging connector is placed in an appropriate charging connector holder, which ensures a minimum protection rating of IP24 in accordance with IEC 61851-1, for the entire time between charging. To create this charging connector holder, use the dimensions of the vehicle charging connector. Detailed dimensions can also be found in the Download area.

Schematic diagram



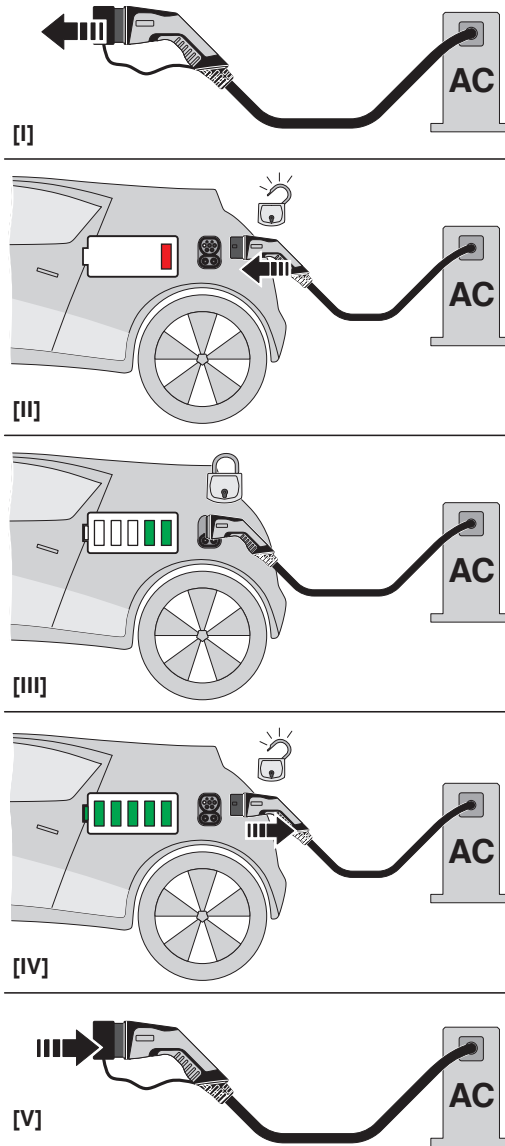
Pin assignment of the Vehicle Connector

AC charging cable - EV-T2G3C-1AC32A-4,0M6,0EHBK11

1056575

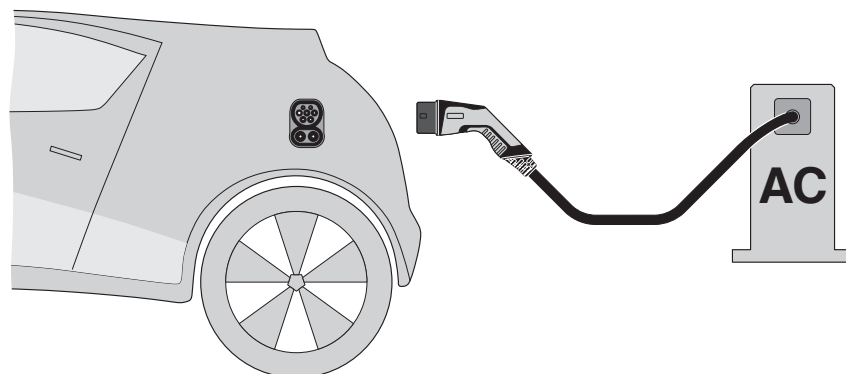
<https://www.phoenixcontact.com/gb/products/1056575>

Schematic diagram



Operating instructions

Schematic diagram



Terminology definition

AC charging cable - EV-T2G3C-1AC32A-4,0M6,0EHBK11



1056575

<https://www.phoenixcontact.com/gb/products/1056575>

Approvals

 IECEE CB Scheme Approval ID: DE1-61066/M1	Nominal Voltage U_N	Nominal Current I_N	Cross Section AWG	Cross Section mm^2
	250 V	32 A	-	-

 VDE Zeichengenehmigung Approval ID: 40045387	Nominal Voltage U_N	Nominal Current I_N	Cross Section AWG	Cross Section mm^2
	250 V	32 A	-	-

AC charging cable - EV-T2G3C-1AC32A-4,0M6,0EHBK11



1056575

<https://www.phoenixcontact.com/gb/products/1056575>

Classifications

ECLASS

ECLASS-9.0	27144705
ECLASS-10.0.1	27144705
ECLASS-11.0	27144705

ETIM

ETIM 8.0	EC002897
----------	----------

UNSPSC

UNSPSC 21.0	39121522
-------------	----------

AC charging cable - EV-T2G3C-1AC32A-4,0M6,0EHBK11



1056575

<https://www.phoenixcontact.com/gb/products/1056575>

Environmental Product Compliance

REACH SVHC	Lead 7439-92-1
China RoHS	Environmentally Friendly Use Period = 10; For details about hazardous substances go to tab "Downloads", Category "Manufacturer's declaration"

AC charging cable - EV-T2G3C-1AC32A-4,0M6,0EHBK11



1056575

<https://www.phoenixcontact.com/gb/products/1056575>

Accessories

Measuring instrument

Measuring instrument - EEM-EM357 - 2908588

<https://www.phoenixcontact.com/gb/products/2908588>

Three-phase power meter for active power measurement with direct measurement in networks of up to 500 V / 80 A, with S0 output, with digital input and RS-485 interface, certified in accordance with the MID directive



Cable gland

Cable gland - G-INS-M20-M68N-PNES-BK - 1424481

<https://www.phoenixcontact.com/gb/products/1424481>

Cable gland, cable gland material: PA, external cable diameter 10 mm ... 14 mm, shielding: no, connecting thread: M20 x 1.5, color: jet black RAL 9005



AC charging cable - EV-T2G3C-1AC32A-4,0M6,0EHBK11

1056575

<https://www.phoenixcontact.com/gb/products/1056575>

AC charging controller

AC charging controller - CHARX SEC-1000 - 1139034

<https://www.phoenixcontact.com/gb/products/1139034>



CHARX control modular, AC charging controller according to IEC 61851-1. Standard. operating mode Stand-alone or client. interface: CHARX control modular system bus. Connectable peripheral devices: Energy meter, RFID, DC residual current detection. DIN rail mounting

AC charging controller

AC charging controller - CHARX SEC-3000 - 1139022

<https://www.phoenixcontact.com/gb/products/1139022>



CHARX control modular, AC charging controller according to IEC 61851-1. Embedded Linux system. operating mode Stand-alone, server, or client. interface: Ethernet (2x), CHARX control modular system bus, MICRO-USB type C. communication protocol: OCPP 1.6J, Modbus/TCP, MQTT. Connectable peripheral devices: Energy meter, RFID, DC residual current detection. DIN rail mounting

AC charging cable - EV-T2G3C-1AC32A-4,0M6,0EHBK11

1056575

<https://www.phoenixcontact.com/gb/products/1056575>

AC charging controller

AC charging controller - CHARX SEC-3050 - 1139018

<https://www.phoenixcontact.com/gb/products/1139018>



CHARX control modular, AC charging controller according to IEC 61851-1, ISO/IEC 15118. Embedded Linux system. operating mode Stand-alone, server, or client. interface: Ethernet (2x), CHARX control modular system bus, MICRO-USB type C. communication protocol: OCPP 1.6J, Modbus/TCP, MQTT. Connectable peripheral devices: Energy meter, RFID, DC residual current detection. DIN rail mounting

AC charging controller

AC charging controller - CHARX SEC-3100 - 1139012

<https://www.phoenixcontact.com/gb/products/1139012>



CHARX control modular, AC charging controller according to IEC 61851-1. Embedded Linux system. operating mode Stand-alone, server, or client. interface: Ethernet (2x), Cellular communication (4G/2G), CHARX control modular system bus, MICRO-USB type C. communication protocol: OCPP 1.6J, Modbus/TCP, MQTT. Connectable peripheral devices: Energy meter, RFID, DC residual current detection. DIN rail mounting

AC charging cable - EV-T2G3C-1AC32A-4,0M6,0EHBK11

1056575

<https://www.phoenixcontact.com/gb/products/1056575>

AC charging controller

AC charging controller - CHARX SEC-3150 - 1138965

<https://www.phoenixcontact.com/gb/products/1138965>



CHARX control modular, AC charging controller according to IEC 61851-1, ISO/IEC 15118. Embedded Linux system. operating mode Stand-alone, server, or client. interface: Ethernet (2x), Cellular communication (4G/2G), CHARX control modular system bus, MICRO-USB type C. communication protocol: OCPP 1.6J, Modbus/TCP, MQTT. Connectable peripheral devices: Energy meter, RFID, DC residual current detection. DIN rail mounting

AC charging controller

AC charging controller - EV-CC-AC1-M3-CC-SER-HS - 1622459

<https://www.phoenixcontact.com/gb/products/1622459>



The EV-CC-AC1-M3-CBC-SER-HS charging controller with housing for DIN rail mounting is used for charging electric vehicles at 3-phase AC networks according to IEC 61851-1, Mode 3. Optimized for charging stations with permanently mounted Vehicle Connector. All charging functions and comprehensive configuration settings are already integrated.

AC charging cable - EV-T2G3C-1AC32A-4,0M6,0EHBK11

1056575

<https://www.phoenixcontact.com/gb/products/1056575>

AC charging controller

AC charging controller - EV-CC-AC1-M3-CC-SER-PCB - 1622460

<https://www.phoenixcontact.com/gb/products/1622460>



The EV-CC-AC1-M3-CC-SER-PCB charging controller as a PCB for charging electric vehicles on a 3-phase AC power grid according to IEC 61851-1, Mode 3. Optimized for charging stations with permanently mounted Vehicle Connector. All charging functions and comprehensive configuration settings are already integrated.

AC charging controller

AC charging controller - EV-CC-AC1-M3-CC-SER-PCB-XC-25X - 1627742

<https://www.phoenixcontact.com/gb/products/1627742>



The EV-CC-AC1-M3-CC-SER-PCB charging controller as a PCB for charging electric vehicles on a 3-phase AC power grid according to IEC 61851-1, Mode 3. Optimized for charging stations with permanently mounted Vehicle Connector. All charging functions and comprehensive configuration settings are already integrated.

AC charging cable - EV-T2G3C-1AC32A-4,0M6,0EHBK11

1056575

<https://www.phoenixcontact.com/gb/products/1056575>

AC charging controller

AC charging controller - EV-CC-AC1-M3-CC-SER-PCB-MSTB - 1627367

<https://www.phoenixcontact.com/gb/products/1627367>



The EV-CC-AC1-M3-CC-SER-PCB-MSTB charging controller as a PCB for charging electric vehicles according to IEC 61851-1, Mode 3, optimized for charging stations with permanently mounted Vehicle Connector. Connection via PCB connector on header.

AC charging controller

AC charging controller - EM-CP-PP-ETH - 2902802

<https://www.phoenixcontact.com/gb/products/2902802>



EV charge control is used to charge electrical vehicles on the 3-phase AC mains power supply according to IEC 61851-1 Mode 3. All necessary control functions are integrated. Additional functions are available for various charging applications.

AC charging cable - EV-T2G3C-1AC32A-4,0M6,0EHBK11



1056575

<https://www.phoenixcontact.com/gb/products/1056575>

Label

Label - EV-LABEL-C - 1309766

<https://www.phoenixcontact.com/gb/products/1309766>

CHARX connect, Label, accordance to DIN EN 17186, for AC charging cable, DIN EN 17186, Marking C for AC type 2 vehicle charging connectors and type 2 vehicle charging inlets



Charging connector holder

Charging connector holder - EV-T2AC-PARK - 1624148

<https://www.phoenixcontact.com/gb/products/1624148>

CHARX connect, Charging connector holder, for vehicle charging connectors on charging stations (EVSE), Type 2, IEC 62196-2, Front mounting



Phoenix Contact 2022 © - all rights reserved

<https://www.phoenixcontact.com>

PHOENIX CONTACT Ltd
Halesfield 13, Telford
Shropshire, TF7 4PG
01952 681700
info@phoenixcontact.co.uk