

# AC charging cable - EV-T2G3PC-3AC20A-6,5M2,5ESBK11



1257822

<https://www.phoenixcontact.com/gb/products/1257822>

Please be informed that the data shown in this PDF document is generated from our Online Catalog. Please find the complete data in the user documentation. Our General Terms of Use for Downloads are valid.



CHARX connect, Mobile AC charging cable with vehicle charging connector and infrastructure charging plug, with protective cap, Housing color black-black, for charging electric vehicles (EV) with alternating current (AC) via type 2 vehicle charging inlets, compatible with type 2 infrastructure charging sockets at charging stations for electromobility (EVSE), Type 2, IEC 62196-2, 20 A / 480 V (AC), C-Line, "PHOENIX CONTACT" logo, cable: 6.5 m, black, straight

## Product Description

Mobile AC charging cable with Vehicle Connector and Infrastructure plug for charging electric vehicles (EV) with alternating current (AC), via type 2 Vehicle Inlets, compatible with type 2 Infrastructure Socket Outlets at charging stations for E-Mobility (EVSE)

## Your advantages

- Complete product range
- Convenient handling due to the ergonomic, triple award-winning design
- Available with your logo on request – for consistent branding of your charging station
- Longitudinal water tightness reliably prevents water ingress
- Developed and produced in accordance with the IATF 16949 automotive standard and ISO 9001
- Tested in accordance with automotive standards LV124, LV214, and LV215-2
- Tested in accordance with EV Ready 37 requirements
- Laser-marked mating face in accordance with DIN EN 17186

# AC charging cable - EV-T2G3PC-3AC20A-6,5M2,5ESBK11



1257822

<https://www.phoenixcontact.com/gb/products/1257822>

## Commercial Data

Item number	1257822
Packing unit	1 pc
Minimum order quantity	1 pc
Sales Key	XWBAEC
Product Key	XWBAEC
GTIN	4063151365394
Customs tariff number	85444290
Country of origin	PL

# AC charging cable - EV-T2G3PC-3AC20A-6,5M2,5ESBK11



1257822

<https://www.phoenixcontact.com/gb/products/1257822>

## Technical Data

### Product properties

Product type	AC charging cable
Application	for charging electric vehicles (EV) with alternating current (AC) via type 2 vehicle charging inlets compatible with type 2 infrastructure charging sockets at charging stations for electromobility (EVSE)
Type	Mobile AC charging cable with vehicle charging connector and infrastructure charging plug with protective cap Housing color black-black
Affixed logo	"PHOENIX CONTACT" logo
Charging mode	Mode 3, Case B
Charging standard	Type 2

### Electrical properties

Number of phases	3
Type of signal transmission	Pulse width modulation
Type of charging current	AC 3-phase
Note on the connection method	Crimp connection, cannot be disconnected
Coding	680 $\Omega$ (between PE and PP)
Maximum capacity	16.63 kW

### Power contact

Number	5 (L1, L2, L3, N, PE)
Rated voltage	480 V AC
Rated current	20 A

### Signal contact

Number	2 (CP, PP)
Rated voltage	30 V AC
Rated current	2 A

### Dimensions

Dimensional drawing	
Width	70 mm (Vehicle charging connector) 58 mm (Infrastructure charging plug)
Height	137 mm (Vehicle charging connector) 131.8 mm (Infrastructure charging plug)

# AC charging cable - EV-T2G3PC-3AC20A-6,5M2,5ESBK11



1257822

<https://www.phoenixcontact.com/gb/products/1257822>

Depth	215.9 mm (Vehicle charging connector)
	233.4 mm (Infrastructure charging plug)

## Material specifications

Housing material	Plastic
Material of grip body	Soft plastic
Material protective cap	Soft plastic
Material mating face	Plastic
Material surface of contacts	Ag

## Design

Color Housing	black
Color Connection profile	black
Color Handle area	black
Color Protective cap	black
Customer variations	On request

## Cable / line

Cable length	6.5 m
Wiring standards/regulations	prEN 50620 / DIN EN 50620
Wiring certifications	VDE
Cable weight	max. 250 kg/km
Type of cable	straight
Cable structure	5 x 2.5 mm <sup>2</sup> + 1 x 0.5 mm <sup>2</sup>
Cable type	Class 5
External cable diameter	12.8 mm ±0.4 mm
Outer sheath, material	TPE-U
External sheath, color	black
Conductor resistance	≤ 0.00798 Ω/m (based on a power core, at an ambient temperature of 20°C)

## Mechanical properties

### Design

Design	C-Line
--------	--------

### Mechanical data

Insertion force	< 100 N
Withdrawal force	< 100 N

### Design

Design	C-Line
Customer variations	On request

## Environmental and real-life conditions

### Ambient conditions

# AC charging cable - EV-T2G3PC-3AC20A- 6,5M2,5ESBK11



1257822

<https://www.phoenixcontact.com/gb/products/1257822>

Ambient temperature (operation)	-30 °C ... 50 °C
Ambient temperature (storage/transport)	-40 °C ... 80 °C
Altitude	5000 m (above sea level)

## Standards and regulations

### Standards

Standards/regulations	IEC 62196-2
-----------------------	-------------

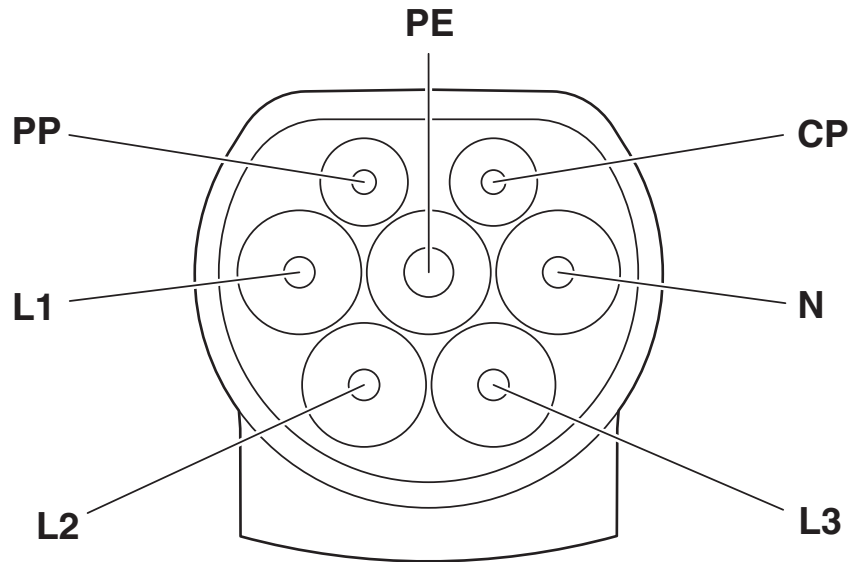
# AC charging cable - EV-T2G3PC-3AC20A-6,5M2,5ESBK11

1257822

<https://www.phoenixcontact.com/gb/products/1257822>

## Drawings

Connection diagram



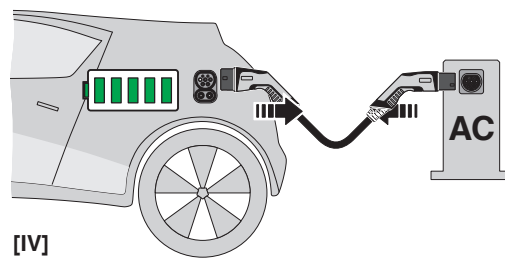
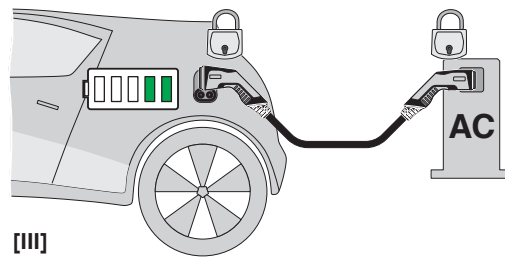
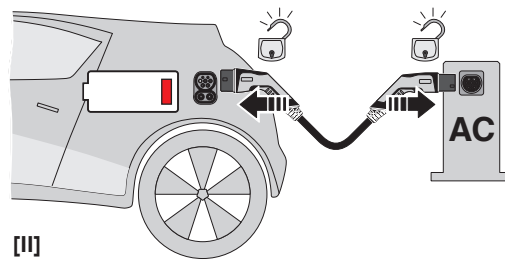
Pin assignment of Infrastructure Plug

# AC charging cable - EV-T2G3PC-3AC20A-6,5M2,5ESBK11

1257822

<https://www.phoenixcontact.com/gb/products/1257822>

Schematic diagram



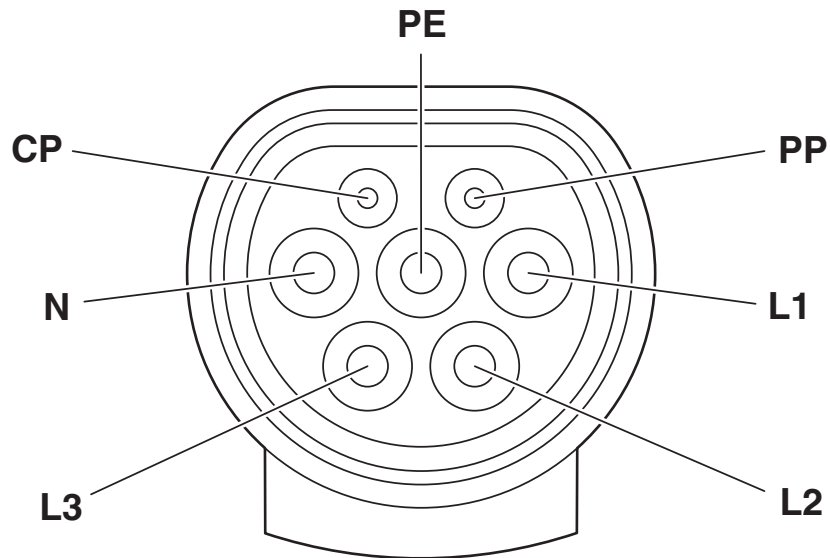
Operating instructions

# AC charging cable - EV-T2G3PC-3AC20A-6,5M2,5ESBK11

1257822

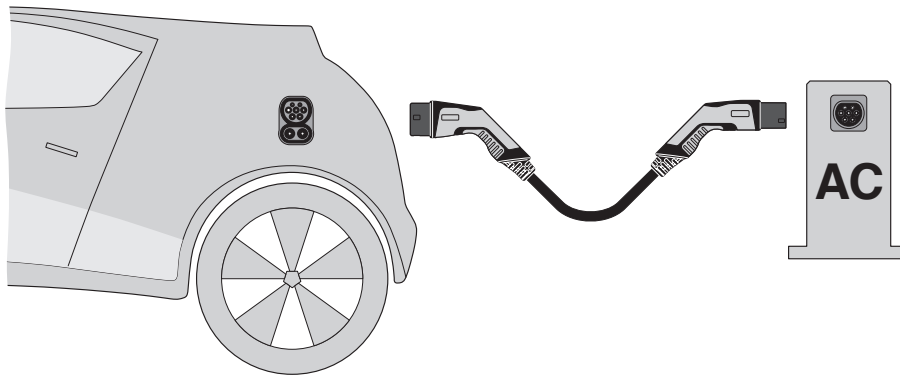
<https://www.phoenixcontact.com/gb/products/1257822>

Schematic diagram



Pin assignment of the Vehicle Connector

Schematic diagram



Terminology definition



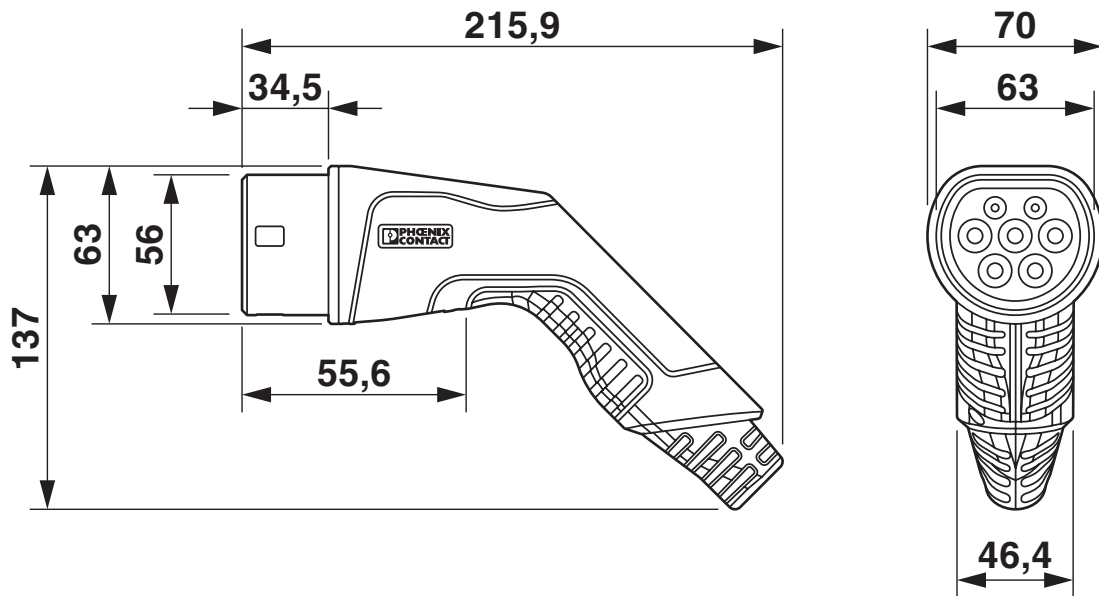
# AC charging cable - EV-T2G3PC-3AC20A-6,5M2,5ESBK11



1257822

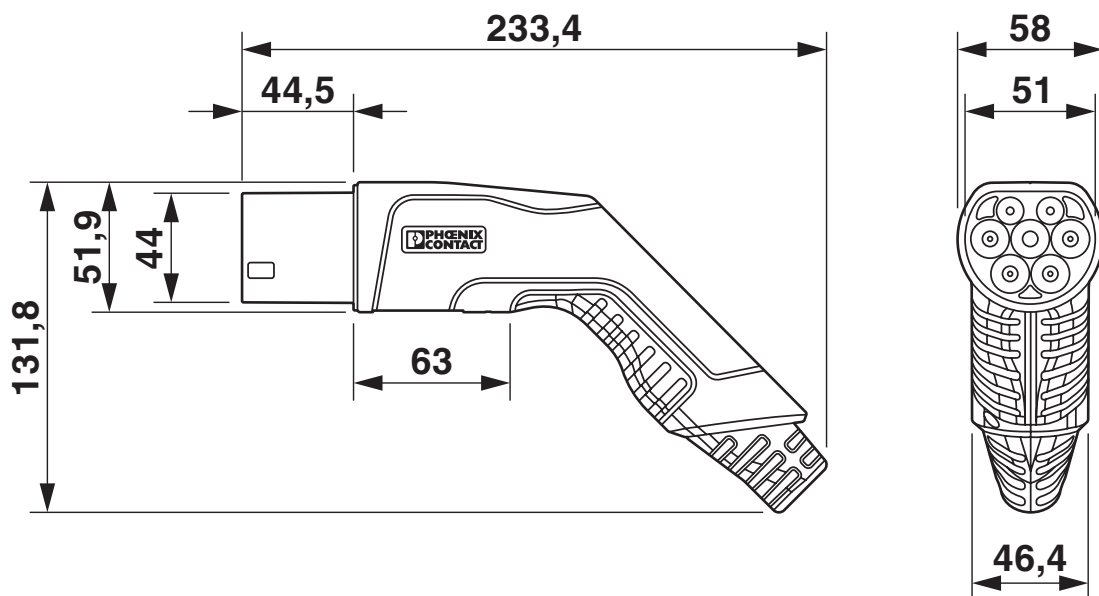
<https://www.phoenixcontact.com/gb/products/1257822>

Dimensional drawing



Vehicle connector

Dimensional drawing



Infrastructure plug


# AC charging cable - EV-T2G3PC-3AC20A-6,5M2,5ESBK11




1257822

<https://www.phoenixcontact.com/gb/products/1257822>

## Approvals

IECEE CB Scheme 	Nominal Voltage $U_N$	Nominal Current $I_N$	Cross Section AWG	Cross Section $\text{mm}^2$
	480 V	20 A	-	-

VDE Zeichengenehmigung 	Nominal Voltage $U_N$	Nominal Current $I_N$	Cross Section AWG	Cross Section $\text{mm}^2$
	480 V	20 A	-	-

# AC charging cable - EV-T2G3PC-3AC20A-6,5M2,5ESBK11



1257822

<https://www.phoenixcontact.com/gb/products/1257822>

## Classifications

### ECLASS

ECLASS-9.0	27144705
ECLASS-10.0.1	27144705
ECLASS-11.0	27144705

### ETIM

ETIM 8.0	EC002897
----------	----------

# AC charging cable - EV-T2G3PC-3AC20A-6,5M2,5ESBK11



1257822

<https://www.phoenixcontact.com/gb/products/1257822>

## Environmental Product Compliance

REACH SVHC	Lead 7439-92-1
China RoHS	Environmentally Friendly Use Period = 10; For details about hazardous substances go to tab "Downloads", Category "Manufacturer's declaration"

# AC charging cable - EV-T2G3PC-3AC20A-6,5M2,5ESBK11

1257822

<https://www.phoenixcontact.com/gb/products/1257822>

## Accessories

### Set

Set - EV-T2M3SO12-3P-P-SET - 1164422

<https://www.phoenixcontact.com/gb/products/1164422>



CHARX connect, Set, Combination of infrastructure charging socket, protective cover, and rear protective cap for strain relief and touch protection, rear protective cover screw connection, with temperature sensors, with LED status indicator within the protective cover, can be reconnected. For charging electric vehicles (EV) with alternating current (AC), compatible with infrastructure charging plugs, Type 2, IEC 62196-2, 32 A / 480 V (AC), without cable, Rear panel mounting, M5 thread, Premium with LED cover, "PHOENIX CONTACT" logo

### Set

Set - EV-T2M3SO12-4P-P-SET - 1164423

<https://www.phoenixcontact.com/gb/products/1164423>



CHARX connect, Set, Combination of infrastructure charging socket, protective cover, and rear protective cap for strain relief and touch protection, rear protective cover screw connection, with temperature sensors, with LED status indicator within the protective cover, can be reconnected. For charging electric vehicles (EV) with alternating current (AC), compatible with infrastructure charging plugs, Type 2, IEC 62196-2, 32 A / 480 V (AC), without cable, Rear panel mounting, M5 thread, Premium with LED cover, "PHOENIX CONTACT" logo

# AC charging cable - EV-T2G3PC-3AC20A-6,5M2,5ESBK11

1257822

<https://www.phoenixcontact.com/gb/products/1257822>

## Set

Set - EV-T2M3SO12-3P-BL-SET - 1268358

<https://www.phoenixcontact.com/gb/products/1268358>



CHARX connect, Set, Combination of infrastructure charging socket, protective cover, and rear protective cap for strain relief and touch protection, rear protective cover screw connection, with LED status indicator within the protective cover, can be reconnected, For charging electric vehicles (EV) with alternating current (AC), compatible with infrastructure charging plugs, Type 2, IEC 62196-2, 32 A / 480 V (AC), without cable, Rear panel mounting, M5 thread, Basic with LED cover, "PHOENIX CONTACT" logo

---

## Set

Set - EV-T2M3SO12-4P-BL-SET - 1268355

<https://www.phoenixcontact.com/gb/products/1268355>



CHARX connect, Set, Combination of infrastructure charging socket, protective cover, and rear protective cap for strain relief and touch protection, rear protective cover screw connection, with LED status indicator within the protective cover, can be reconnected, For charging electric vehicles (EV) with alternating current (AC), compatible with infrastructure charging plugs, Type 2, IEC 62196-2, 32 A / 480 V (AC), without cable, Rear panel mounting, M5 thread, Basic with LED cover, "PHOENIX CONTACT" logo

# AC charging cable - EV-T2G3PC-3AC20A-6,5M2,5ESBK11

1257822

<https://www.phoenixcontact.com/gb/products/1257822>

## Set

Set - EV-T2M3SO12-3P-B-SET - 1164420

<https://www.phoenixcontact.com/gb/products/1164420>



CHARX connect, Set, Combination of infrastructure charging socket, protective cover, and rear protective cap for strain relief and touch protection, rear protective cover screw connection, can be reconnected, For charging electric vehicles (EV) with alternating current (AC), compatible with infrastructure charging plugs, Type 2, IEC 62196-2, 32 A / 480 V (AC), without cable, Rear panel mounting, M5 thread, Basic, "PHOENIX CONTACT" logo

## Set

Set - EV-T2M3SO12-4P-B-SET - 1164417

<https://www.phoenixcontact.com/gb/products/1164417>



CHARX connect, Set, Combination of infrastructure charging socket, protective cover, and rear protective cap for strain relief and touch protection, rear protective cover screw connection, can be reconnected, For charging electric vehicles (EV) with alternating current (AC), compatible with infrastructure charging plugs, Type 2, IEC 62196-2, 32 A / 480 V (AC), without cable, Rear panel mounting, M5 thread, Basic, "PHOENIX CONTACT" logo

# AC charging cable - EV-T2G3PC-3AC20A- 6,5M2,5ESBK11

1257822

<https://www.phoenixcontact.com/gb/products/1257822>

## Label

Label - EV-LABEL-C - 1309766

<https://www.phoenixcontact.com/gb/products/1309766>

CHARX connect, Label, accordance to DIN EN 17186, for AC charging cable, DIN EN 17186, Marking C for AC type 2 vehicle charging connectors and type 2 vehicle charging inlets



---

## Label

Label - EV-LABEL-C-SO - 1315521

<https://www.phoenixcontact.com/gb/products/1315521>

CHARX connect, Label, for AC charging cables and infrastructure charging sockets, DIN EN 17186, Marking C for AC type 2 infrastructure charging plugs and type 2 infrastructure charging sockets





# AC charging cable - EV-T2G3PC-3AC20A- 6,5M2,5ESBK11



1257822

<https://www.phoenixcontact.com/gb/products/1257822>

## Charging connector holder

Charging connector holder - EV-T2AC-PARK - 1624148

<https://www.phoenixcontact.com/gb/products/1624148>



CHARX connect, Charging connector holder, for vehicle charging connectors on charging stations (EVSE), Type 2, IEC 62196-2, Front mounting

---

Phoenix Contact 2022 © - all rights reserved

<https://www.phoenixcontact.com>

PHOENIX CONTACT Ltd  
Halesfield 13, Telford  
Shropshire, TF7 4PG  
01952 681700  
[info@phoenixcontact.co.uk](mailto:info@phoenixcontact.co.uk)