

# Charging connector holder - EV-T2AC-PARK



1624148

<https://www.phoenixcontact.com/gb/products/1624148>

Please be informed that the data shown in this PDF document is generated from our Online Catalog. Please find the complete data in the user documentation. Our General Terms of Use for Downloads are valid.

---



CHARX connect, Charging connector holder, for vehicle charging connectors on charging stations (EVSE), Type 2, IEC 62196-2, Front mounting

---

## Product Description

Retainer for Vehicle Connector as parking position at charging stations for E-Mobility (EVSE)

## Your advantages

- Developed and produced in accordance with the IATF 16949 automotive standard and ISO 9001
- Individual branding, thanks to the use your own logo

# Charging connector holder - EV-T2AC-PARK



1624148

<https://www.phoenixcontact.com/gb/products/1624148>

## Commercial Data

Item number	1624148
Packing unit	1 pc
Minimum order quantity	1 pc
Sales Key	XWBAJC
Product Key	XWBAJC
Catalog Page	Page 45 (C-7-2019)
GTIN	4055626242828
Weight per Piece (including packing)	137.3 g
Weight per Piece (excluding packing)	137.3 g
Customs tariff number	39269097
Country of origin	DE

# Charging connector holder - EV-T2AC-PARK

1624148

<https://www.phoenixcontact.com/gb/products/1624148>

## Technical Data

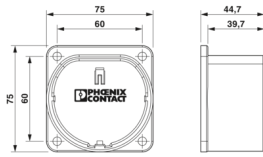
### Product properties

Product type	Charging connector holder
Application	for vehicle charging connectors on charging stations (EVSE)
Charging standard	Type 2
Charging mode	Mode 3

### Electrical properties

Type of charging current	AC
--------------------------	----

### Dimensions

Dimensional drawing	
Width	75 mm
Height	75 mm
Depth	44.7 mm
Bore dimensions	60 mm x 60 mm

### Material specifications

Color Housing	black
Flammability rating according to UL 94	V0
Material	Plastic

### Mechanical properties

Securing	With locking clips for locking contour
Removal	Lifting and removal

### Design

Customer variations	On request
---------------------	------------

### Environmental and real-life conditions

#### Ambient conditions

Degree of protection (when plugged in)	IP54
Degree of protection	IP54
Ambient temperature (operation)	-30 °C ... 50 °C
Ambient temperature (storage/transport)	-40 °C ... 80 °C

### Standards and regulations

#### Standards

# Charging connector holder - EV-T2AC-PARK



1624148

<https://www.phoenixcontact.com/gb/products/1624148>

Standards/regulations	IEC 62196-2
-----------------------	-------------

## Mounting

Possible mounting positions	Front mounting
Restrictions to mounting position	Only 0 to 45 degree frontal inclination possible, see figure
Mounting hole diameter	6.00 mm (ø)

# Charging connector holder - EV-T2AC-PARK

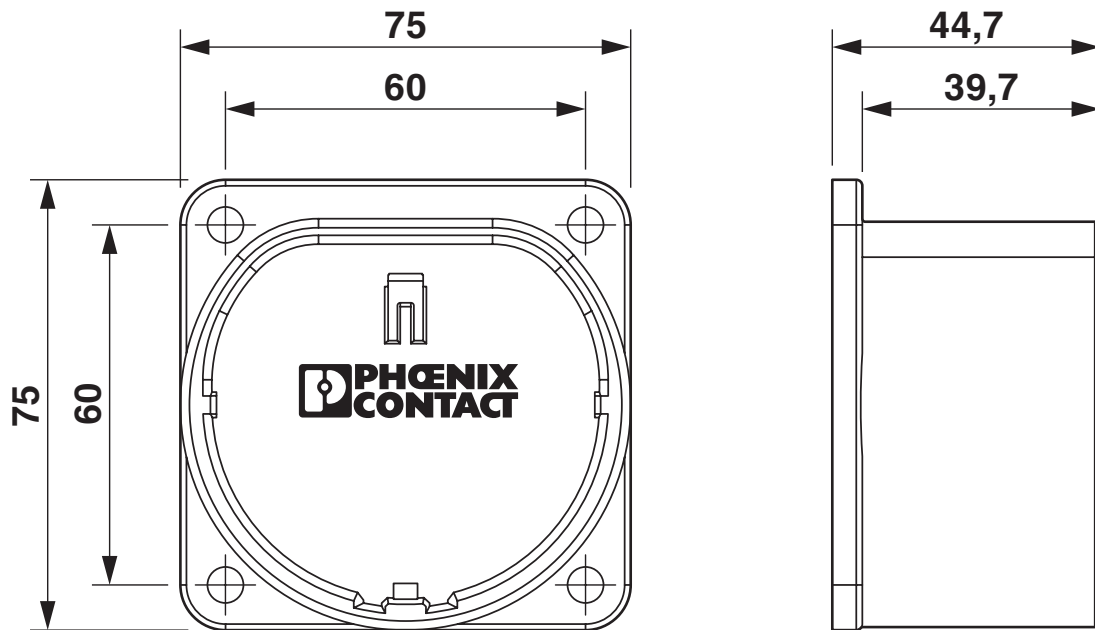


1624148

<https://www.phoenixcontact.com/gb/products/1624148>

## Drawings

Dimensional drawing



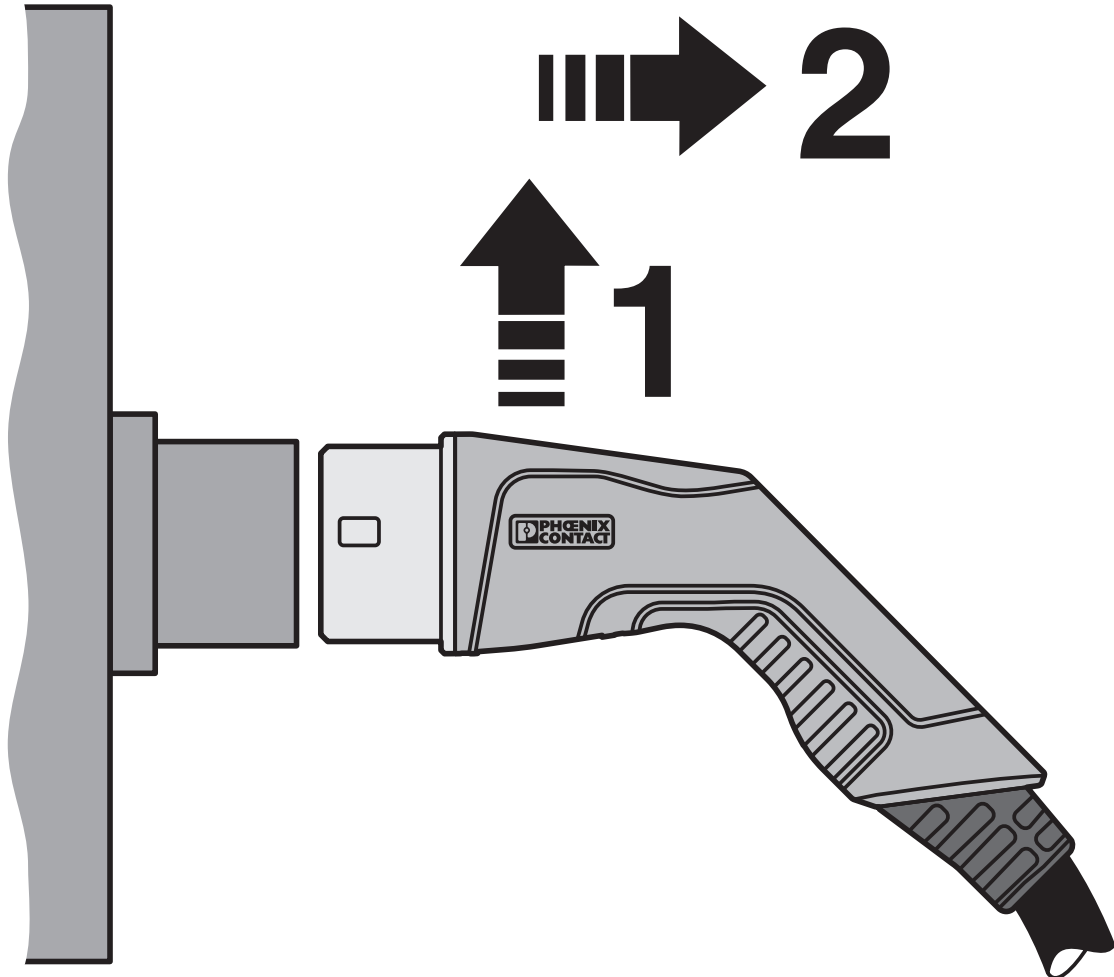
Dimensional drawing

# Charging connector holder - EV-T2AC-PARK

1624148

<https://www.phoenixcontact.com/gb/products/1624148>

Schematic diagram



The attached AC Vehicle Connector is raised in the holder, releasing it from the integrated locking clip, and it can then be removed.

# Charging connector holder - EV-T2AC-PARK



1624148

<https://www.phoenixcontact.com/gb/products/1624148>

## Classifications

### ECLASS

ECLASS-9.0	27144792
ECLASS-10.0.1	27144792
ECLASS-11.0	27144792

### ETIM

ETIM 8.0	EC002884
----------	----------

### UNSPSC

UNSPSC 21.0	39121522
-------------	----------

# Charging connector holder - EV-T2AC-PARK



1624148

<https://www.phoenixcontact.com/gb/products/1624148>

## Environmental Product Compliance

China RoHS	Environmentally friendly use period: unlimited = EFUP-e No hazardous substances above threshold values
------------	---

Phoenix Contact 2022 © - all rights reserved  
<https://www.phoenixcontact.com>

PHOENIX CONTACT Ltd  
Halesfield 13, Telford  
Shropshire, TF7 4PG  
01952 681700  
[info@phoenixcontact.co.uk](mailto:info@phoenixcontact.co.uk)