

# AC charging cable - EV-T2G3C-3AC20A-4,0M2,5EHBK01

1627128

<https://www.phoenixcontact.com/gb/products/1627128>

Please be informed that the data shown in this PDF document is generated from our Online Catalog. Please find the complete data in the user documentation. Our General Terms of Use for Downloads are valid.



CHARX connect, AC charging cable with vehicle charging connector and open cable end, with protective cap, Housing color black-gray, for charging electric vehicles (EV) with alternating current (AC) via type 2 vehicle charging inlets, for installation at charging stations for electromobility (EVSE), Type 2, IEC 62196-2, 20 A / 480 V (AC), C-Line, "PHOENIX CONTACT" logo, cable: 4 m, black, spiraled

## Product Description

AC charging cable with Vehicle Connector and open cable end for charging electric vehicles (EV) with alternating current (AC) via type 2 Vehicle Inlets, for installation at charging stations for E-Mobility (EVSE)

## Your advantages

- Complete product range
- Convenient handling due to the ergonomic, triple award-winning design
- Available with your logo on request – for consistent branding of your charging station
- Longitudinal water tightness reliably prevents water ingress
- Developed and produced in accordance with the IATF 16949 automotive standard and ISO 9001
- Tested in accordance with automotive standards LV124, LV214, and LV215-2
- Tested in accordance with EV Ready 37 requirements
- Laser-marked mating face in accordance with DIN EN 17186

# AC charging cable - EV-T2G3C-3AC20A-4,0M2,5EHBK01



1627128

<https://www.phoenixcontact.com/gb/products/1627128>

## Commercial Data

Item number	1627128
Packing unit	1 pc
Minimum order quantity	1 pc
Sales Key	XWBAAC
Product Key	XWBAAC
Catalog Page	Page 23 (C-7-2019)
GTIN	4055626299433
Weight per Piece (including packing)	2,251 g
Weight per Piece (excluding packing)	2,251 g
Customs tariff number	85444290
Country of origin	PL

# AC charging cable - EV-T2G3C-3AC20A-4,0M2,5EHBK01



1627128

<https://www.phoenixcontact.com/gb/products/1627128>

## Technical Data

### Product properties

Product type	AC charging cable
Application	for charging electric vehicles (EV) with alternating current (AC) via type 2 vehicle charging inlets for installation at charging stations for electromobility (EVSE)
Type	AC charging cable with vehicle charging connector and open cable end with protective cap Housing color black-gray
Affixed logo	"PHOENIX CONTACT" logo
Charging mode	Mode 3, Case C
Charging standard	Type 2

### Electrical properties

Number of phases	3
Type of signal transmission	Pulse width modulation
Type of charging current	AC 3-phase
Note on the connection method	Crimp connection, cannot be disconnected
Coding	680 Ω (between PE and PP)
Maximum capacity	16.63 kW

### Power contact

Number	5 (L1, L2, L3, N, PE)
Rated voltage	480 V AC
Rated current	20 A

### Signal contact

Number	2 (CP, PP)
Rated voltage	30 V AC
Rated current	2 A

### Dimensions

Dimensional drawing	
Width	70 mm (Vehicle charging connector)
Height	137 mm (Vehicle charging connector)
Depth	215.9 mm (Vehicle charging connector)

### Material specifications

# AC charging cable - EV-T2G3C-3AC20A-4,0M2,5EHBK01



1627128

<https://www.phoenixcontact.com/gb/products/1627128>

Housing material	Plastic
Material of grip body	Soft plastic
Material protective cap	Soft plastic
Material mating face	Plastic
Material surface of contacts	Ag

## Design

Color Housing	black
Color Connection profile	black
Color Handle area	gray
Color Protective cap	black
Customer variations	On request

## Cable / line

Cable length	4 m
Wiring standards/regulations	prEN 50620 / DIN EN 50620
Wiring certifications	VDE
Type of cable	spiraled
Cable structure	5 x 2.5 mm <sup>2</sup> + 1 x 0.5 mm <sup>2</sup>
Cable type	Class 5
External cable diameter	12.8 mm ±0.4 mm
Outer sheath, material	TPE-U
External sheath, color	black
Block length	0.63 m ±10 %
Coil diameter	60 mm ±10 %
Effective length	max. 4 m ±5 %
Conductor resistance	≤ 0.00798 Ω/m (based on a power core, at an ambient temperature of 20°C)

## Cable structure

Stripping length of the sheath	70 mm ±5 mm
--------------------------------	-------------

## Mechanical properties

### Design

Design	C-Line
--------	--------

### Mechanical data

Insertion force	< 100 N
Withdrawal force	< 100 N

### Design

Design	C-Line
Customer variations	On request

## Environmental and real-life conditions

# AC charging cable - EV-T2G3C-3AC20A-4,0M2,5EHBK01



1627128

<https://www.phoenixcontact.com/gb/products/1627128>

## Ambient conditions

Ambient temperature (operation)	-30 °C ... 50 °C
Ambient temperature (storage/transport)	-40 °C ... 80 °C
Altitude	5000 m (above sea level)

## Standards and regulations

### Standards

Standards/regulations	IEC 62196-2
-----------------------	-------------

# AC charging cable - EV-T2G3C-3AC20A-4,0M2,5EHBK01

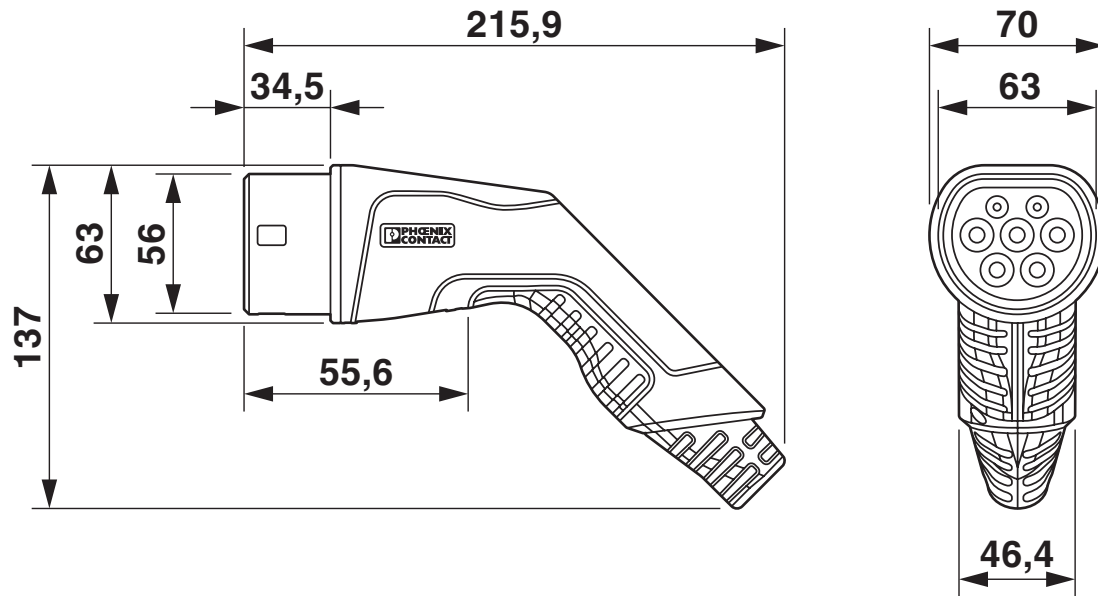


1627128

<https://www.phoenixcontact.com/gb/products/1627128>

## Drawings

Dimensional drawing



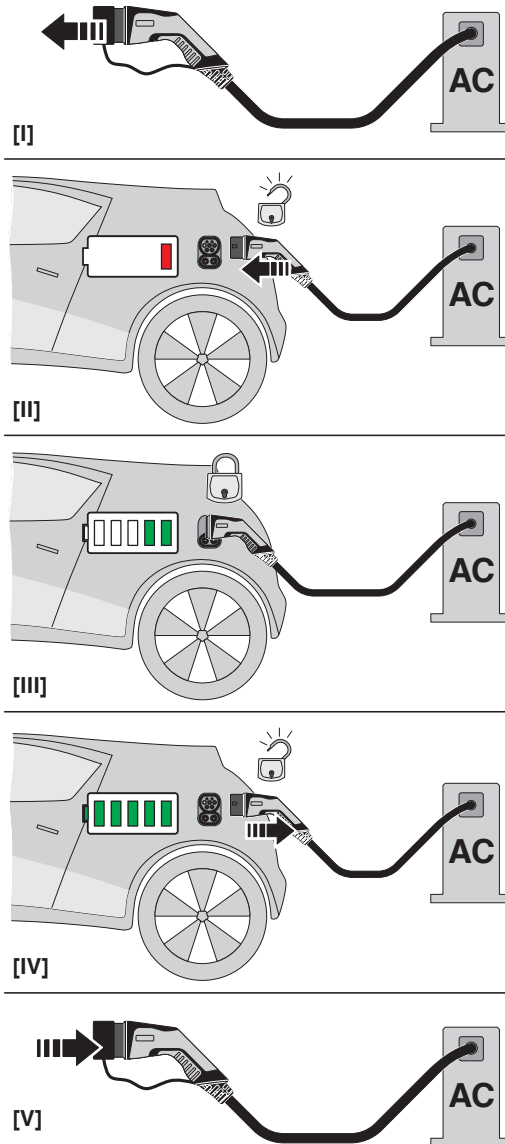
Make sure that the vehicle charging connector is placed in an appropriate charging connector holder, which ensures a minimum protection rating of IP24 in accordance with IEC 61851-1, for the entire time between charging. To create this charging connector holder, use the dimensions of the vehicle charging connector. Detailed dimensions can also be found in the Download area.

# AC charging cable - EV-T2G3C-3AC20A-4,0M2,5EHBK01

1627128

<https://www.phoenixcontact.com/gb/products/1627128>

Schematic diagram



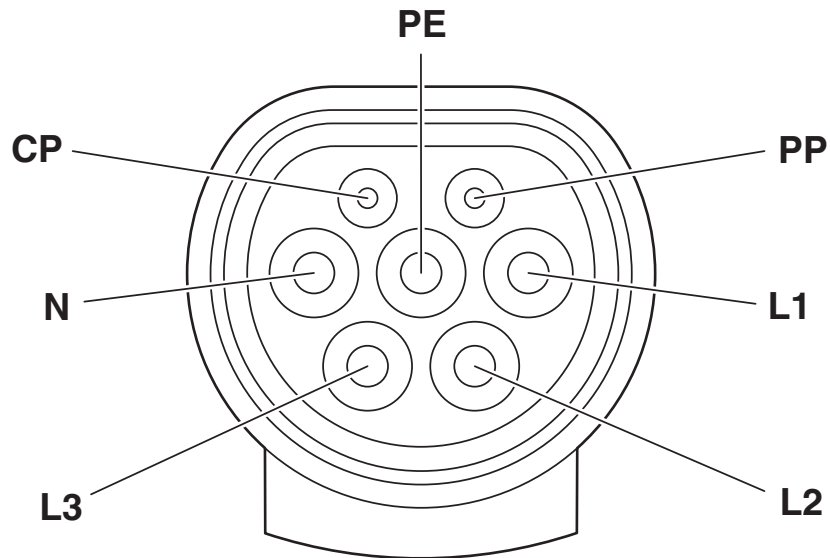
Operating instructions

# AC charging cable - EV-T2G3C-3AC20A-4,0M2,5EHBK01

1627128

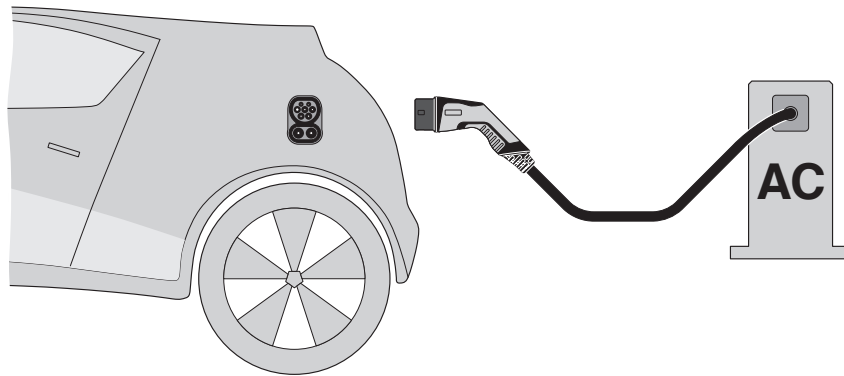
<https://www.phoenixcontact.com/gb/products/1627128>

Schematic diagram



Pin assignment of the Vehicle Connector

Schematic diagram



Terminology definition




# AC charging cable - EV-T2G3C-3AC20A-4,0M2,5EHBK01




1627128

<https://www.phoenixcontact.com/gb/products/1627128>

## Approvals

IECEE CB Scheme 	Nominal Voltage $U_N$	Nominal Current $I_N$	Cross Section AWG	Cross Section $\text{mm}^2$
	480 V	20 A	-	-

VDE Zeichengenehmigung 	Nominal Voltage $U_N$	Nominal Current $I_N$	Cross Section AWG	Cross Section $\text{mm}^2$
	480 V	20 A	-	-

# AC charging cable - EV-T2G3C-3AC20A-4,0M2,5EHBK01



1627128

<https://www.phoenixcontact.com/gb/products/1627128>

## Classifications

### ECLASS

ECLASS-9.0	27144705
ECLASS-10.0.1	27144705
ECLASS-11.0	27144705

### ETIM

ETIM 8.0	EC002897
----------	----------

### UNSPSC

UNSPSC 21.0	39121522
-------------	----------

# AC charging cable - EV-T2G3C-3AC20A-4,0M2,5EHBK01



1627128

<https://www.phoenixcontact.com/gb/products/1627128>

## Environmental Product Compliance

REACH SVHC	Lead 7439-92-1
China RoHS	Environmentally Friendly Use Period = 10; For details about hazardous substances go to tab "Downloads", Category "Manufacturer's declaration"

# AC charging cable - EV-T2G3C-3AC20A-4,0M2,5EHBK01

1627128

<https://www.phoenixcontact.com/gb/products/1627128>

## Accessories

### Measuring instrument

Measuring instrument - EEM-EM357 - 2908588

Three-phase power meter for active power measurement with direct measurement in networks of up to 500 V / 80 A, with S0 output, with digital input and RS-485 interface, certified in accordance with the MID directive



---

### Cable gland

Cable gland - G-INS-M20-M68N-PNES-BK - 1424481

Cable gland, cable gland material: PA, external cable diameter 10 mm ... 14 mm, shielding: no, connecting thread: M20 x 1.5, color: jet black RAL 9005



# AC charging cable - EV-T2G3C-3AC20A-4,0M2,5EHBK01

1627128

<https://www.phoenixcontact.com/gb/products/1627128>

## Type 2 surge arrester

Type 2 surge arrester - VAL-EV-T2 280/3+1 - 1180144



CHARX protect: pluggable surge protective device, in accordance with Type 2 / Class II, for 3-phase power supply networks with separate N and PE (5-conductor system: L1, L2, L3, N, PE). Specifically designed for use in e-mobility.

---

## Type 2 surge arrester

Type 2 surge arrester - VAL-EV-T2 280/3+1-R - 1180145



CHARX protect: pluggable surge protective device, in accordance with Type 2 / Class II, for 3-phase power supply networks with separate N and PE (5-conductor system: L1, L2, L3, N, PE), with remote indication contact. Specifically designed for use in e-mobility.

# AC charging cable - EV-T2G3C-3AC20A-4,0M2,5EHBK01

1627128

<https://www.phoenixcontact.com/gb/products/1627128>

## AC charging controller

AC charging controller - CHARX SEC-1000 - 1139034



CHARX control modular, AC charging controller according to IEC 61851-1. Configurable charging controller. operating mode Stand-alone or client. interface: CHARX control modular system bus. Connectable peripheral devices: Energy meter, RFID, DC residual current detection. DIN rail mounting

---

## AC charging controller

AC charging controller - CHARX SEC-3000 - 1139022



CHARX control modular, AC charging controller according to IEC 61851-1. Embedded Linux system. operating mode Stand-alone, server, or client. interface: Ethernet (2x), CHARX control modular system bus, MICRO-USB type C. communication protocol: OCPP 1.6J, Modbus/TCP, MQTT. Connectable peripheral devices: Energy meter, RFID, DC residual current detection. DIN rail mounting

# AC charging cable - EV-T2G3C-3AC20A-4,0M2,5EHBK01

1627128

<https://www.phoenixcontact.com/gb/products/1627128>

## AC charging controller

AC charging controller - CHARX SEC-3050 - 1139018



CHARX control modular, AC charging controller according to IEC 61851-1, ISO/IEC 15118. Embedded Linux system. operating mode Stand-alone, server, or client. interface: Ethernet (2x), CHARX control modular system bus, MICRO-USB type C. communication protocol: OCPP 1.6J, Modbus/TCP, MQTT. Connectable peripheral devices: Energy meter, RFID, DC residual current detection. DIN rail mounting

---

## AC charging controller

AC charging controller - CHARX SEC-3100 - 1139012



CHARX control modular, AC charging controller according to IEC 61851-1. Embedded Linux system. operating mode Stand-alone, server, or client. interface: Ethernet (2x), Cellular communication (4G/2G), CHARX control modular system bus, MICRO-USB type C. communication protocol: OCPP 1.6J, Modbus/TCP, MQTT. Connectable peripheral devices: Energy meter, RFID, DC residual current detection. DIN rail mounting

# AC charging cable - EV-T2G3C-3AC20A-4,0M2,5EHBK01

1627128

<https://www.phoenixcontact.com/gb/products/1627128>

## AC charging controller

AC charging controller - CHARX SEC-3150 - 1138965



CHARX control modular, AC charging controller according to IEC 61851-1, ISO/IEC 15118. Embedded Linux system. operating mode Stand-alone, server, or client. interface: Ethernet (2x), Cellular communication (4G/2G), CHARX control modular system bus, MICRO-USB type C. communication protocol: OCPP 1.6J, Modbus/TCP, MQTT. Connectable peripheral devices: Energy meter, RFID, DC residual current detection. DIN rail mounting

---

## AC charging controller

AC charging controller - EV-CC-AC1-M3-CC-SER-HS - 1622459



The EV-CC-AC1-M3-CBC-SER-HS charging controller with housing for DIN rail mounting is used for charging electric vehicles at 3-phase AC networks according to IEC 61851-1, Mode 3. Optimized for charging stations with permanently mounted Vehicle Connector. All charging functions and comprehensive configuration settings are already integrated.



# AC charging cable - EV-T2G3C-3AC20A-4,0M2,5EHBK01

1627128

<https://www.phoenixcontact.com/gb/products/1627128>

## AC charging controller

AC charging controller - EV-CC-AC1-M3-CC-SER-PCB - 1622460



The EV-CC-AC1-M3-CC-SER-PCB charging controller as a PCB for charging electric vehicles on a 3-phase AC power grid according to IEC 61851-1, Mode 3. Optimized for charging stations with permanently mounted Vehicle Connector. All charging functions and comprehensive configuration settings are already integrated.

---

## AC charging controller

AC charging controller - EV-CC-AC1-M3-CC-SER-PCB-XC-25X - 1627742



The EV-CC-AC1-M3-CC-SER-PCB charging controller as a PCB for charging electric vehicles on a 3-phase AC power grid according to IEC 61851-1, Mode 3. Optimized for charging stations with permanently mounted Vehicle Connector. All charging functions and comprehensive configuration settings are already integrated.

# AC charging cable - EV-T2G3C-3AC20A-4,0M2,5EHBK01

1627128

<https://www.phoenixcontact.com/gb/products/1627128>

## AC charging controller

AC charging controller - EV-CC-AC1-M3-CC-SER-PCB-MSTB - 1627367



The EV-CC-AC1-M3-CC-SER-PCB-MSTB charging controller as a PCB for charging electric vehicles according to IEC 61851-1, Mode 3, optimized for charging stations with permanently mounted Vehicle Connector. Connection via PCB connector on header.

---

## AC charging controller

AC charging controller - EM-CP-PP-ETH - 2902802



EV charge control is used to charge electrical vehicles on the 3-phase AC mains power supply according to IEC 61851-1 Mode 3. All necessary control functions are integrated. Additional functions are available for various charging applications.

# AC charging cable - EV-T2G3C-3AC20A-4,0M2,5EHBK01

1627128

<https://www.phoenixcontact.com/gb/products/1627128>

## Label

Label - EV-LABEL-C - 1309766

CHARX connect, Label, accordance to DIN EN 17186, for AC charging cable, DIN EN 17186, Marking C for AC type 2 vehicle charging connectors and type 2 vehicle charging inlets



---

## Lightning/surge arrester type 1/2

Lightning/surge arrester type 1/2 - VAL-EV-T1/T2 264/12.5/3+1 - 1180149

CHARX protect: pluggable lightning current arrester/surge protective device, in accordance with Type 1/2 / Class I/II, for 3-phase power supply networks with separate N and PE (5-conductor system: L1, L2, L3, N, PE). Specifically designed for use in e-mobility.



# AC charging cable - EV-T2G3C-3AC20A-4,0M2,5EHBK01

1627128

<https://www.phoenixcontact.com/gb/products/1627128>

## Lightning/surge arrester type 1/2

Lightning/surge arrester type 1/2 - VAL-EV-T1/T2 264/12.5/3+1-R - 1180150



CHARX protect: pluggable lightning current arrester/surge protective device, in accordance with Type 1/2 / Class I/II, for 3-phase power supply networks with separate N and PE (5-conductor system: L1, L2, L3, N, PE), with remote indication contact. Specifically designed for use in e-mobility.

---

## Charging connector holder

Charging connector holder - EV-T2AC-PARK - 1624148



CHARX connect, Charging connector holder, for vehicle charging connectors on charging stations (EVSE), Type 2, IEC 62196-2, Front mounting

---

Phoenix Contact 2022 © - all rights reserved  
<https://www.phoenixcontact.com>

PHOENIX CONTACT Ltd  
Halesfield 13, Telford  
Shropshire, TF7 4PG  
01952 681700  
[info@phoenixcontact.co.uk](mailto:info@phoenixcontact.co.uk)