

# AC charging cable - EV-GBG3C-1AC32A-5,0M6,0ESBK01



1627601

<https://www.phoenixcontact.com/gb/products/1627601>

Please be informed that the data shown in this PDF document is generated from our Online Catalog. Please find the complete data in the user documentation. Our General Terms of Use for Downloads are valid.



CHARX connect, AC charging cable with vehicle charging connector and open cable end, with protective cap, Housing color black-gray, For charging electric vehicles (EV) with alternating current (AC) via GB/T vehicle charging inlets, for installation at charging stations for electromobility (EVSE), GB/T, GB/T 20234.2-2015, GB/T 18487.1-2015, 32 A / 250 V (AC), C-Line, "PHOENIX CONTACT" logo, cable: 5 m, black, straight

## Product Description

AC charging cable with Vehicle Connector and open cable end for charging electric vehicles (EV) with alternating current (AC) via GB/T Vehicle Inlets, for installation at charging stations for E-Mobility (EVSE)

## Your advantages

- Complete product range
- Convenient handling due to the ergonomic, triple award-winning design
- Available with your logo on request – for consistent branding of your charging station
- Longitudinal water tightness reliably prevents water ingress
- Developed and produced in accordance with the IATF 16949 automotive standard and ISO 9001
- Tested in accordance with automotive standards LV124, LV214, and LV215-2
- Tested in accordance with EV Ready 37 requirements

# AC charging cable - EV-GBG3C-1AC32A- 5,0M6,0ESBK01



1627601

<https://www.phoenixcontact.com/gb/products/1627601>

## Commercial Data

Item number	1627601
Packing unit	1 pc
Minimum order quantity	1 pc
Sales Key	XWBAAF
Product Key	XWBAAF
Catalog Page	Page 27 (C-7-2019)
GTIN	4055626342825
Weight per Piece (including packing)	2.126 kg
Weight per Piece (excluding packing)	2.055 kg
Customs tariff number	85444290
Country of origin	PL

# AC charging cable - EV-GBG3C-1AC32A-5,0M6,0ESBK01



1627601

<https://www.phoenixcontact.com/gb/products/1627601>

## Technical Data

### Product properties

Product type	AC charging cable
Application	For charging electric vehicles (EV) with alternating current (AC) via GB/T vehicle charging inlets for installation at charging stations for electromobility (EVSE)
Type	AC charging cable with vehicle charging connector and open cable end with protective cap Housing color black-gray
Affixed logo	"PHOENIX CONTACT" logo
Charging mode	Mode 3, Case C
Charging standard	GB/T

### Electrical properties

Number of phases	1
Type of signal transmission	Pulse width modulation
Type of charging current	AC single-phase
Note on the connection method	Crimp connection, cannot be disconnected
Coding	220 Ω + 3,3 kΩ (Lever actuated) 220 Ω (Lever not actuated)
Maximum capacity	8 kW

### Power contact

Number	3 (L, N, PE)
Rated voltage	250 V
Rated current	32 A

### Signal contact

Number	2 (CP, CC)
Rated voltage	30 V AC
Rated current	2 A

### Dimensions

Dimensional drawing	
Width	58 mm (Vehicle charging connector)
Height	151.3 mm (Vehicle charging connector)
Depth	238.7 mm (Vehicle charging connector)

# AC charging cable - EV-GBG3C-1AC32A-5,0M6,0ESBK01



1627601

<https://www.phoenixcontact.com/gb/products/1627601>

## Material specifications

Housing material	Plastic
Material of grip body	Soft plastic
Material protective cap	Soft plastic
Actuating lever material	Metal
Material mating face	Plastic
Material surface of contacts	Ag

## Design

Color Housing	black
Color Connection profile	black
Color Handle area	gray
Color Actuation element	silver
Color Protective cap	black
Customer variations	On request

## Cable / line

Cable length	5 m
Wiring standards/regulations	prEN 50620 / DIN EN 50620
Wiring certifications	VDE
Cable weight	max. 305 kg/km
Type of cable	straight
Cable structure	3 x 6.0 mm <sup>2</sup> + 1 x 0.5 mm <sup>2</sup>
Cable type	Class 5
External cable diameter	12.8 mm ±0.4 mm
Outer sheath, material	TPE-U
External sheath, color	black
Conductor resistance	≤ 0.0033 Ω/m (based on a power core, at an ambient temperature of 20°C)

## Cable structure

Stripping length of the sheath	70 mm ±5 mm
--------------------------------	-------------

## Mechanical properties

### Design

Design	C-Line
--------	--------

### Mechanical data

Insertion force	< 100 N
Withdrawal force	< 100 N

### Design

Design	C-Line
Customer variations	On request

# AC charging cable - EV-GBG3C-1AC32A-5,0M6,0ESBK01



1627601

<https://www.phoenixcontact.com/gb/products/1627601>

## Environmental and real-life conditions

### Ambient conditions

Ambient temperature (operation)	-30 °C ... 50 °C
Ambient temperature (storage/transport)	-40 °C ... 80 °C
Altitude	5000 m (above sea level)

## Standards and regulations

### Standards

Standards/regulations	GB/T 20234.2-2015
	GB/T 18487.1-2015

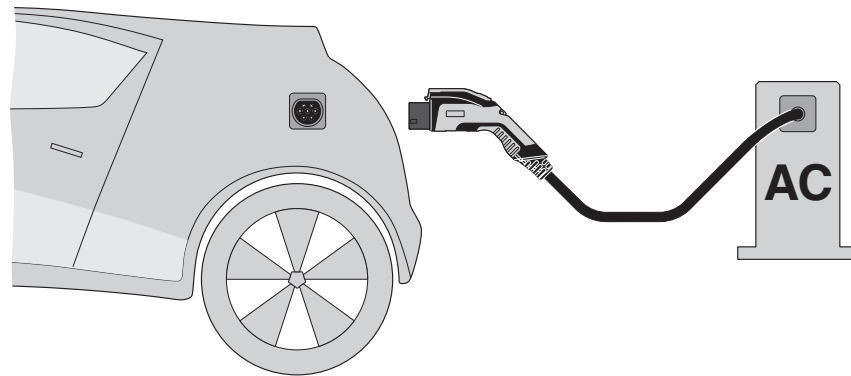
# AC charging cable - EV-GBG3C-1AC32A-5,0M6,0ESBK01

1627601

<https://www.phoenixcontact.com/gb/products/1627601>

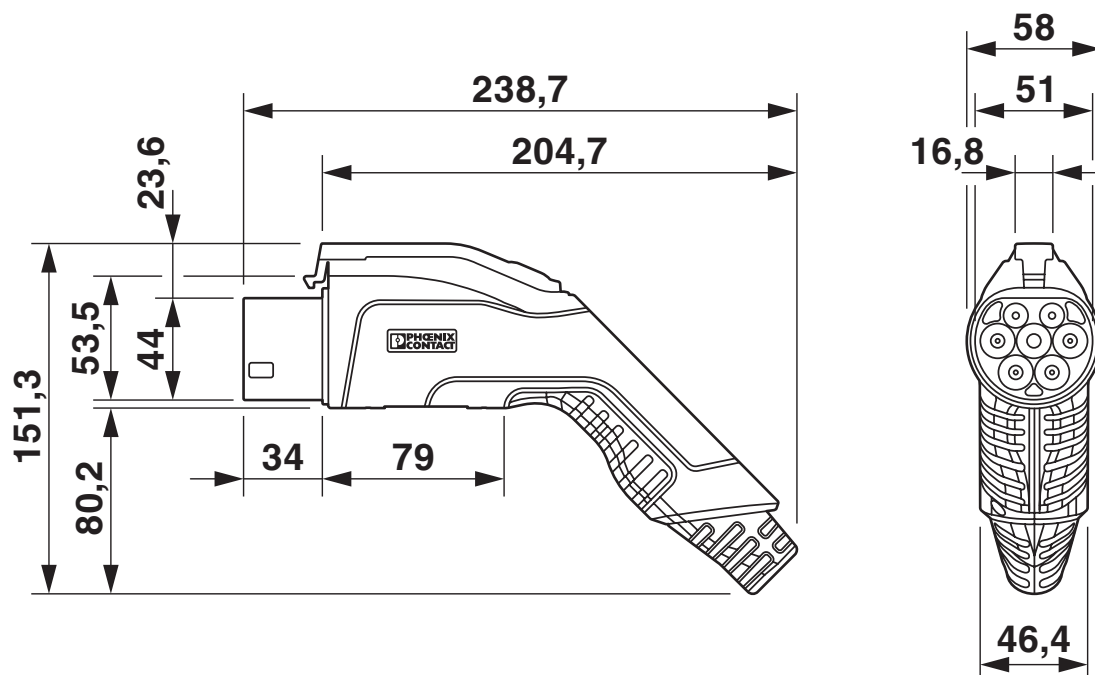
## Drawings

Schematic diagram



## Terminology definition

Dimensional drawing



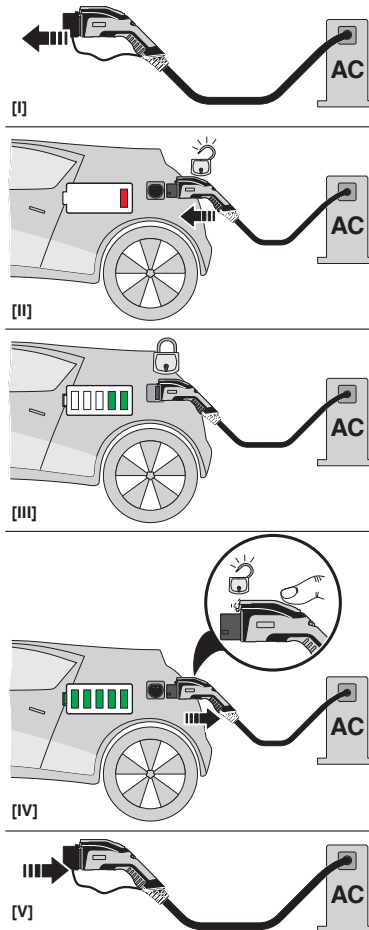
Make sure that the vehicle charging connector is placed in an appropriate charging connector holder, which ensures a minimum protection rating of IP24 in accordance with IEC 61851-1, for the entire time between charging. To create this charging connector holder, use the dimensions of the vehicle charging connector. Detailed dimensions can also be found in the Download area.

# AC charging cable - EV-GBG3C-1AC32A-5,0M6,0ESBK01

1627601

<https://www.phoenixcontact.com/gb/products/1627601>

## Schematic diagram



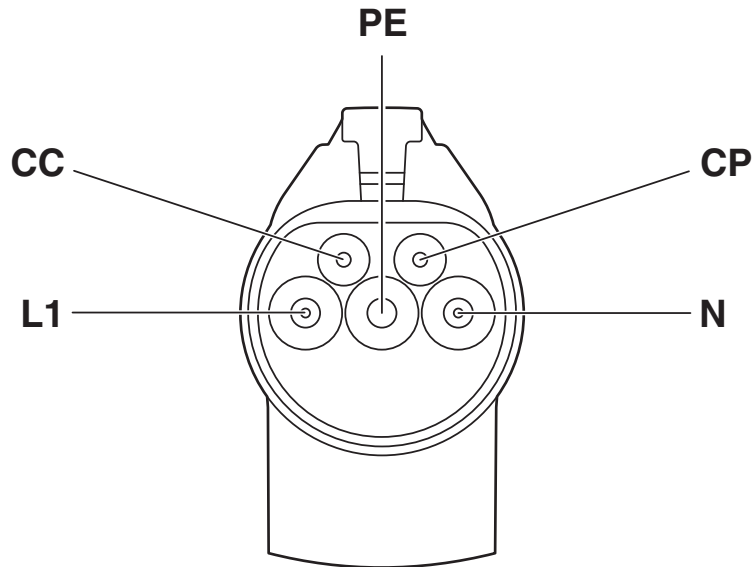
## Operating instructions

# AC charging cable - EV-GBG3C-1AC32A-5,0M6,0ESBK01

1627601

<https://www.phoenixcontact.com/gb/products/1627601>

Schematic diagram



Pin assignment of the Vehicle Connector



# AC charging cable - EV-GBG3C-1AC32A-5,0M6,0ESBK01



1627601

<https://www.phoenixcontact.com/gb/products/1627601>

## Classifications

### ECLASS

ECLASS-9.0	27144705
ECLASS-10.0.1	27144705
ECLASS-11.0	27144705

### ETIM

ETIM 8.0	EC002897
----------	----------

### UNSPSC

UNSPSC 21.0	39121522
-------------	----------

# AC charging cable - EV-GBG3C-1AC32A-5,0M6,0ESBK01



1627601

<https://www.phoenixcontact.com/gb/products/1627601>

## Environmental Product Compliance

REACH SVHC	Lead 7439-92-1
China RoHS	Environmentally Friendly Use Period = 10; For details about hazardous substances go to tab "Downloads", Category "Manufacturer's declaration"

# AC charging cable - EV-GBG3C-1AC32A-5,0M6,0ESBK01

1627601

<https://www.phoenixcontact.com/gb/products/1627601>

## Accessories

### Cable gland

Cable gland - G-INS-M25-M68N-PNES-BK - 1411134



Cable gland, cable gland material: PA, external cable diameter 11 mm ... 17 mm, shielding: no, connecting thread: M25 x 1.5, color: jet black RAL 9005

### Charging connector holder

Charging connector holder - EV-GBAC-PARK - 1624142



CHARX connect, Charging connector holder, for vehicle charging connectors on charging stations (EVSE), GB/T, GB/T 20234.2, Front mounting

Phoenix Contact 2022 © - all rights reserved  
<https://www.phoenixcontact.com>

PHOENIX CONTACT Ltd  
Halesfield 13, Telford  
Shropshire, TF7 4PG  
01952 681700  
[info@phoenixcontact.co.uk](mailto:info@phoenixcontact.co.uk)