

AC charging cable - EV-TCG3PK-3AC32A-5,0M6,0ESBK01



1628001

<https://www.phoenixcontact.com/gb/products/1628001>

Please be informed that the data shown in this PDF document is generated from our Online Catalog. Please find the complete data in the user documentation. Our General Terms of Use for Downloads are valid.



CHARX connect, Mobile AC charging cable with vehicle charging connector and infrastructure charging plug, with protective cap, Housing color black-gray, with locking option for padlock, For charging electric vehicles (EV) with alternating current (AC) via GB/T vehicle charging inlets, compatible with type 2 infrastructure charging sockets at charging stations for electromobility (EVSE), GB/T, Type 2, IEC 62196-2, GB/T 20234.2-2015, 32 A / 440 V (AC), C-Line, "PHOENIX CONTACT" logo, cable: 5 m, black, straight

Product Description

Mobile AC charging cable with Vehicle Connector and Infrastructure Plug for charging electric vehicles (EV) with alternating current (AC), via GB/T Vehicle Inlets, compatible with type 2 Infrastructure Socket Outlets at charging stations for E-Mobility (EVSE)

Your advantages

- Complete product range
- Convenient handling due to the ergonomic, triple award-winning design
- Available with your logo on request – for consistent branding of your charging station
- Longitudinal water tightness reliably prevents water ingress
- Developed and produced in accordance with the IATF 16949 automotive standard and ISO 9001
- Tested in accordance with automotive standards LV124, LV214, and LV215-2
- Tested in accordance with EV Ready 37 requirements

AC charging cable - EV-TCG3PK-3AC32A-5,0M6,0ESBK01



1628001

<https://www.phoenixcontact.com/gb/products/1628001>

Commercial Data

Item number	1628001
Packing unit	1 pc
Minimum order quantity	1 pc
Sales Key	XWBAEH
Product Key	XWBAEH
Catalog Page	Page 33 (C-7-2019)
GTIN	4055626370156
Weight per Piece (including packing)	3,496 g
Weight per Piece (excluding packing)	3,496 g
Customs tariff number	85444290
Country of origin	PL

AC charging cable - EV-TCG3PK-3AC32A-5,0M6,0ESBK01



1628001

<https://www.phoenixcontact.com/gb/products/1628001>

Technical Data

Product properties

Product type	AC charging cable
Application	For charging electric vehicles (EV) with alternating current (AC) via GB/T vehicle charging inlets compatible with type 2 infrastructure charging sockets at charging stations for electromobility (EVSE)
Type	Mobile AC charging cable with vehicle charging connector and infrastructure charging plug with protective cap Housing color black-gray with locking option for padlock
Affixed logo	"PHOENIX CONTACT" logo

Product definition

Charging mode	Mode 3, Case B
Charging standard	GB/T Type 2

Electrical properties

Number of phases	3
Type of signal transmission	Pulse width modulation
Type of charging current	AC 3-phase
Note on the connection method	Crimp connection, cannot be disconnected
Coding	220 Ω + 3,3 k Ω (Lever actuated) 220 Ω (Lever not actuated)
Maximum capacity	24.39 kW

Power contact

Number	5 (L1, L2, L3, N, PE)
Rated voltage	440 V
Rated current	32 A

Signal contact

Number	2 (CP, CC)
Rated voltage	30 V AC
Rated current	2 A

Dimensions

Dimensional drawing	
---------------------	--

AC charging cable - EV-TCG3PK-3AC32A-5,0M6,0ESBK01



1628001

<https://www.phoenixcontact.com/gb/products/1628001>

Width	58 mm (Vehicle charging connector)
	58 mm (Infrastructure charging plug)
Height	151.3 mm (Vehicle charging connector)
	131.8 mm (Infrastructure charging plug)
Depth	238.7 mm (Vehicle charging connector)
	233.4 mm (Infrastructure charging plug)

Material specifications

Housing material	Plastic
Material of grip body	Soft plastic
Material protective cap	Soft plastic
Actuating lever material	Metal
Material mating face	Plastic
Material surface of contacts	Ag

Design

Color Housing	black
Color Connection profile	black
Color Handle area	gray
Color Actuation element	silver
Color Protective cap	black
Customer variations	On request

Cable / line

Cable length	5 m
Wiring standards/regulations	prEN 50620 / DIN EN 50620
Wiring certifications	VDE
Cable weight	max. 505 kg/km
Type of cable	straight
Cable structure	5 x 6.0 mm ² + 1 x 0.5 mm ²
Cable type	Class 5
External cable diameter	17 mm ±0.4 mm
Outer sheath, material	TPE-U
External sheath, color	black
Conductor resistance	≤ 0.0033 Ω/m (based on a power core, at an ambient temperature of 20°C)

Cable structure

Stripping length of the sheath	60 mm ±15 mm
--------------------------------	--------------

Mechanical properties

Design

Design	C-Line
--------	--------

Mechanical data

AC charging cable - EV-TCG3PK-3AC32A-5,0M6,0ESBK01



1628001

<https://www.phoenixcontact.com/gb/products/1628001>

Insertion force	< 100 N
Withdrawal force	< 100 N

Design

Design	C-Line
Customer variations	On request

Environmental and real-life conditions

Ambient conditions

Ambient temperature (operation)	-30 °C ... 50 °C
Ambient temperature (storage/transport)	-40 °C ... 80 °C
Altitude	5000 m (above sea level)

Standards and regulations

Standards

Standards/regulations	IEC 62196-2
	GB/T 20234.2-2015

AC charging cable - EV-TCG3PK-3AC32A-5,0M6,0ESBK01

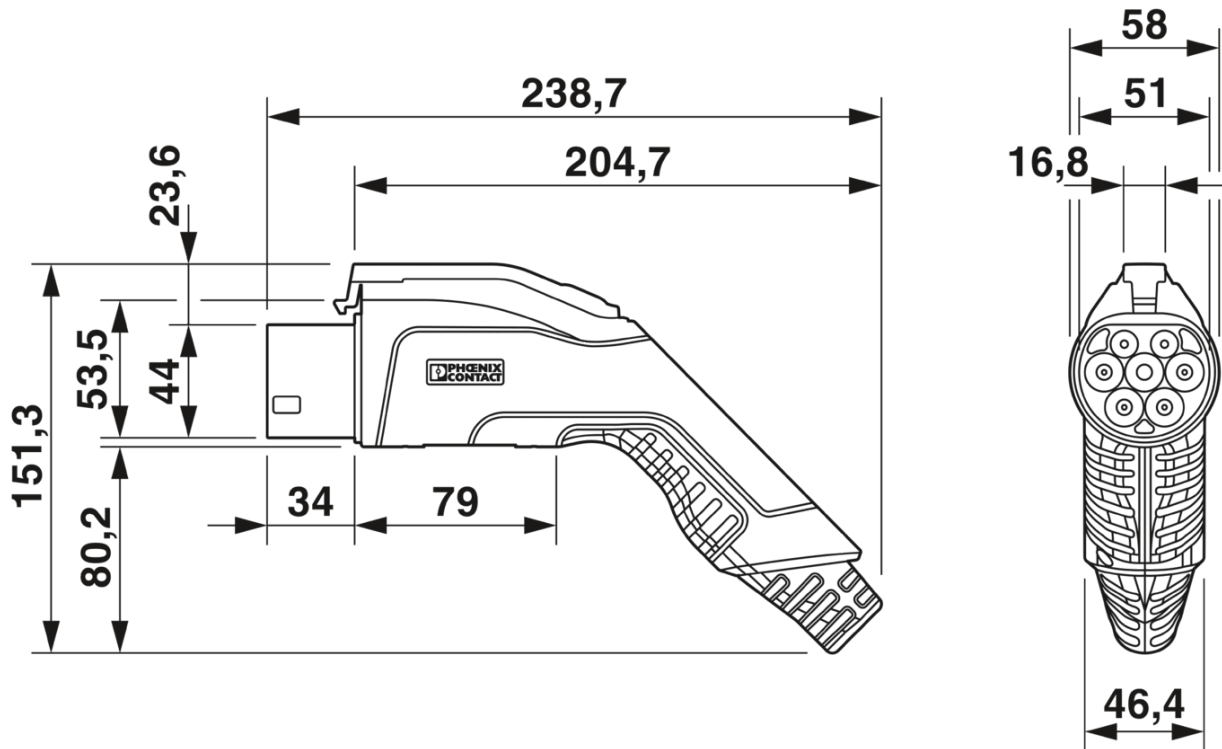


1628001

<https://www.phoenixcontact.com/gb/products/1628001>

Drawings

Dimensional drawing



Vehicle connector

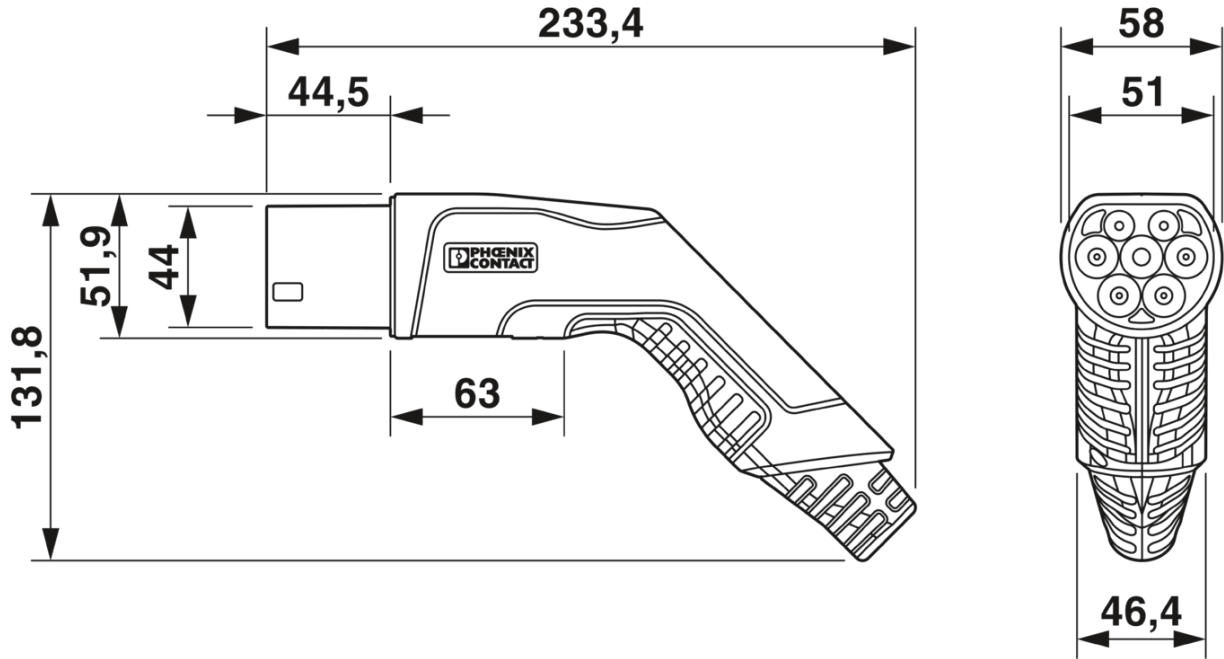
AC charging cable - EV-TCG3PK-3AC32A-5,0M6,0ESBK01



1628001

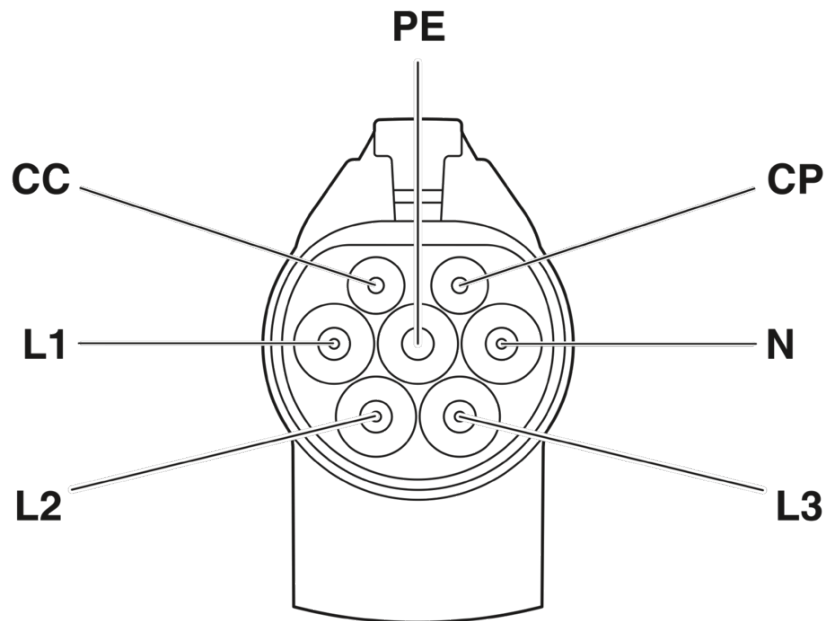
<https://www.phoenixcontact.com/gb/products/1628001>

Dimensional drawing



Infrastructure plug

Schematic diagram



Pin assignment of the Vehicle Connector

AC charging cable - EV-TCG3PK-3AC32A-5,0M6,0ESBK01

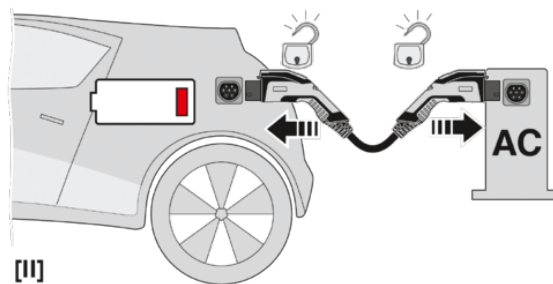
1628001

<https://www.phoenixcontact.com/gb/products/1628001>

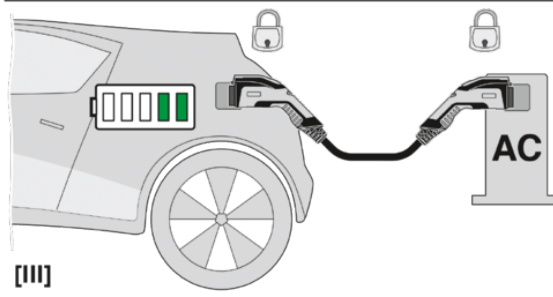
Schematic diagram



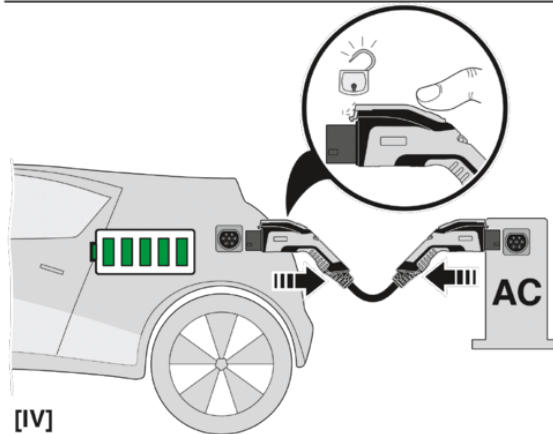
[I]



[II]



[III]



[IV]



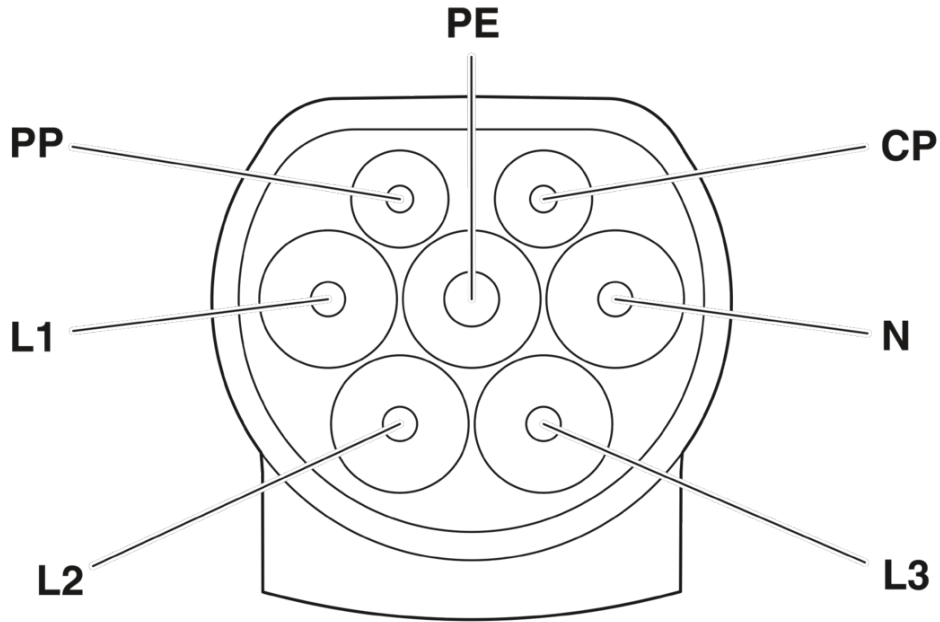
[V]

AC charging cable - EV-TCG3PK-3AC32A-5,0M6,0ESBK01

1628001

<https://www.phoenixcontact.com/gb/products/1628001>

Connection diagram



Pin assignment of Infrastructure Plug

AC charging cable - EV-TCG3PK-3AC32A-5,0M6,0ESBK01



1628001

<https://www.phoenixcontact.com/gb/products/1628001>

Classifications

ECLASS

ECLASS-9.0	27144705
ECLASS-10.0.1	27144705
ECLASS-11.0	27144705

ETIM

ETIM 8.0	EC002897
----------	----------

UNSPSC

UNSPSC 21.0	39121522
-------------	----------

AC charging cable - EV-TCG3PK-3AC32A-5,0M6,0ESBK01



1628001

<https://www.phoenixcontact.com/gb/products/1628001>

Environmental Product Compliance

REACH SVHC	Lead 7439-92-1
China RoHS	Environmentally Friendly Use Period = 10; For details about hazardous substances go to tab "Downloads", Category "Manufacturer's declaration"

AC charging cable - EV-TCG3PK-3AC32A-5,0M6,0ESBK01



1628001

<https://www.phoenixcontact.com/gb/products/1628001>

Accessories

Socket Outlet

Socket Outlet - EV-T2M3SE24-3AC32A-0,7M6,0E10 - 1405216



CHARX connect, Socket Outlet, rear protective cover screw connection, For charging electric vehicles (EV) with alternating current (AC), compatible with infrastructure charging plugs, Type 2, IEC 62196-2, 32 A / 480 V (AC), Single wires, length: 0.7 m, Rear panel mounting, Generation 1, "PHOENIX CONTACT" logo

Charging connector holder

Charging connector holder - EV-GBAC-PARK - 1624142



CHARX connect, Charging connector holder, for vehicle charging connectors on charging stations (EVSE), GB/T, GB/T 20234.2, Front mounting

Phoenix Contact 2022 © - all rights reserved
<https://www.phoenixcontact.com>

PHOENIX CONTACT Ltd
Halesfield 13, Telford
Shropshire, TF7 4PG
01952 681700
info@phoenixcontact.co.uk