

Electronic housing - UEG 20 - 2790211

Please be informed that the data shown in this PDF Document is generated from our Online Catalog. Please find the complete data in the user's documentation. Our General Terms of Use for Downloads are valid (<http://phoenixcontact.com/download>)



Electronic housing, for PCB insertion, fully equipped with 4 screw or tab connections per side

Why buy this product

- Universal P1-UEG... PCBs are available for laboratory samples and small series
- Cost-effective series production, since the base element and the assembled PCB are soldered by machine
- Can be snapped onto standard NS 35/7,5 and NS 35/15 DIN rails
- Installation of one or two PCBs in the housing
- Up to 16 connections on two levels
- Efficient assembly thanks to overlapping housing parts



Key Commercial Data

Packing unit	10 STK
GTIN	
GTIN	4017918072292
Weight per Piece (excluding packing)	42.900 g
Custom tariff number	85369010
Country of origin	Germany

Technical data

General

Housing type	Complete housing
Housing material	Polyamide (PA 6.6)
Color	green

Ambient conditions

Ambient temperature (operation)	-40 °C ... 105 °C (depending on power dissipation)
---------------------------------	--

Dimensions

Height	70 mm
--------	-------

Electronic housing - UEG 20 - 2790211

Technical data

Dimensions

Width	20 mm
Pitch	5 mm
Depth	79.5 mm

Technical data

Flammability rating according to UL 94	V2
Power dissipation without gap	4 W
Power dissipation with 20 mm gap	6 W
Number of positions	8

Connection data

Conductor cross section solid min.	0.2 mm ²
Conductor cross section solid max.	4 mm ²
Conductor cross section flexible min.	0.2 mm ²
Conductor cross section flexible max.	2.5 mm ²
Conductor cross section AWG min.	24
Conductor cross section AWG max.	12
Stripping length	8 mm

Standards and Regulations

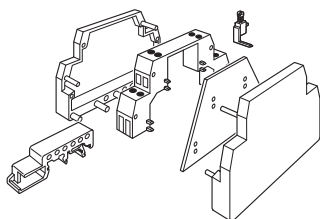
Flammability rating according to UL 94	V2
--	----

Environmental Product Compliance

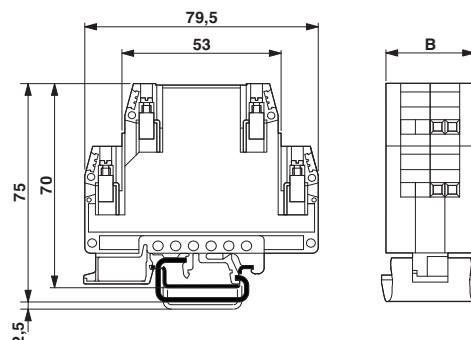
China RoHS	Environmentally Friendly Use Period = 50
	For details about hazardous substances go to tab "Downloads", Category "Manufacturer's declaration"

Drawings

Explosion drawing

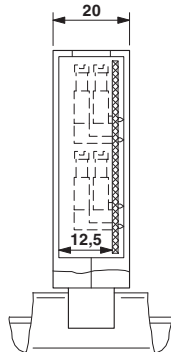


Dimensional drawing

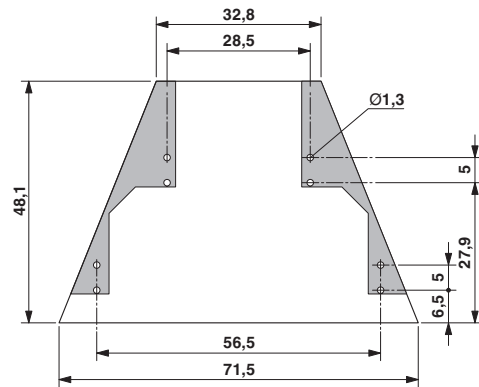


Electronic housing - UEG 20 - 2790211

Dimensional drawing

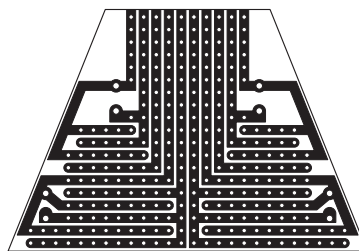


Dimensional drawing



UEG 20 with 1 PCB, up to max. 8 pos.

Schematic diagram



Approvals

Approvals

Approvals

UL Recognized / EAC / cULus Recognized

Ex Approvals


Approval details

UL Recognized		http://database.ul.com/cgi-bin/XYV/template/LISEXT/1FRAME/index.htm	FILE E 240868
---------------	--	---	---------------

EAC		EAC-Zulassung
-----	--	---------------

Electronic housing - UEG 20 - 2790211

Approvals

cULus Recognized		http://database.ul.com/cgi-bin/XYV/template/LISEXT/1FRAME/index.htm	E60425-19770427
	B	D	
mm ² /AWG/kcmil	30-12	30-12	
Nominal current I _N	10 A	10 A	
Nominal voltage U _N	300 V	300 V	